

User's Manual



ZM850/1000-GVM



Two Forward Switching Power Supply

※ To ensure safe and easy installation, Please read the following precautions.

www.ZALMAN.com

1. Warnings and Safety Precautions



Neglecting the following may cause serious injury or death.

- ▶ Opening the cover of the product while the power cord is plugged into an outlet may cause electrocution or critical damage to the product.
- ▶ Handling the power cord with wet hands may cause electrocution.
- ▶ Inserting fingers or metallic objects into the cooling fan may cause injury or electrocution.



Neglecting the following may cause minor injuries, degrade product conditions or cause malfunction.

- ▶ Operating the product in an extremely cold or hot environment can degrade product performance and lifespan.
- ▶ Exposure to liquids may cause malfunction.
- ▶ Operation in a humid or non-ventilated environment may reduce product lifespan.
- ▶ Plugging the main power connector P1 into the motherboard while the product is connected to the AC power source may cause damage to the motherboard.
- ▶ Make sure that the connectors are connected to their designated locations, and that the connectors are not oriented in the wrong direction when connecting the DC output connectors.
- ▶ Please use gloves to prevent injuries during installation.
- ▶ Product designs and specifications may be revised without prior notification to improve quality and performance.

(Disclaimer) Zalman Tech Co., Ltd. is not responsible for any damages due to external causes, including but not limited to, improper use, problems with electrical power, accident, neglect, alteration, repair, improper installation, or improper testing.

2. Components



Power Supply



Four Screw



Five Cable Tie



AC Power Cord

Manual

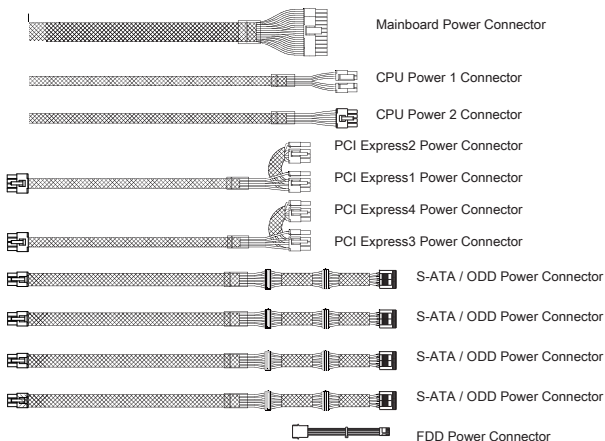
User's Manual

3. Specifications

1) ZM850-GVM Electrical & Physical Specifications

AC Input Range	Voltage	100-240VAC ±10%		Vout	Output Load Rating			Combined Power	
	Frequency	50Hz ~ 60Hz ±3			I _{min}	I _{max}	I _{peak}		
AC Input Current	100VAC	15A		+3.3V	0.1A	22A		140W	850W
	240VAC			+5V	0.2A	22A			
PFC Type	Active PFC			+12V	0.1A	70.5A		846W	
Power Factor Correction	Max 99%			-12V	0.0A	0.5A		6W	
Inrush Current Limit (@ Cold Start at 25°C)	100VAC	Max 150A		+5VSB	0.0A	3A		15W	
	240VAC			Ambient Temperature					
Efficiency	Max 88% @ 230VAC, Typical load			Operation	0 ~ +45°C				
				Storage	-20 ~ +70°C				
DC Output Voltage Regulation	Vout	Regulation Range		Ambient Humidity					
	+3.3VDC	±5%	+3.14 ~ +3.47V						
	+5VDC	±5%	+4.75 ~ +5.25V	Operation	5% ~ 95% RH				
	+12VDC	±5%	+11.4 ~ +12.6V	Storage	5% ~ 95% RH				
	-12VDC	±10%	-10.8 ~ -13.0V	Dimensions	160(L) * 150(W) * 86(H)mm				
	+5VSB	±5%	+4.75 ~ +5.25V	Weight	2.8Kg				
DC Output Ripple & Noise	Vout	Standard Range		Protection Functions					
	+3.3VDC	50mV		Over-Current Protection (OCP)					
	+5VDC	50mV		Over-Voltage Protection (OVP)					
	+12VDC	120mV		Under-Voltage Protection (LVP)					
	-12VDC	120mV		Short-Circuit Protection (SCP)					
	+5VSB	50mV		Over-Power Protection (OPP)					
				Over-Temperature Protection (OTP)					

2) ZM850-GVM Cable Specifications

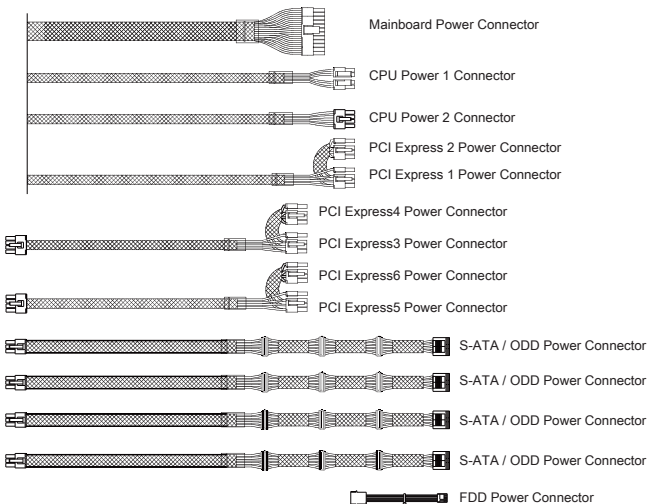


3. Specifications

3) ZM1000-GVM Electrical & Physical Specifications

AC Input Range	Voltage	100~240VAC ±10%		Vout	Output Load Rating			Combined Power							
	Frequency	50Hz ~ 60Hz ±3			I _{max}	I _{max}	I _{peak}								
AC Input Current	100VAC	15A		+3.3V	0.1A	23A		140W	1000W						
	240VAC			+5V	0.2A	23A									
PFC Type	Active PFC			+12V	0.1A	83A		996W							
Power Factor Correction	Max 99%			-12V	0.0A	0.5A		6W							
Inrush Current Limit (@ Cold Start at 25°C)	100VAC	Max 150A		+5VSB	0.0A	3A		15W							
	240VAC			Ambient Temperature											
Efficiency	Max 88% @ 230VAC, Typical load			Operation		0 ~ +45°C									
				Storage		-20 ~ +70°C									
DC Output Voltage Regulation	Vout	Regulation Range		At Full Load											
	+3.3VDC	±5%	+3.14 ~ +3.47V							Ambient Humidity					
	+5VDC	±5%	+4.75 ~ +5.25V							Operation		5% ~ 95% RH			
	+12VDC	±5%	+11.4 ~ +12.6V							Storage		5% ~ 95% RH			
	-12VDC	±10%	-10.8 ~ -13.0V							Dimensions		160(L) * 150(W) * 86(H)mm			
	+5VSB	±5%	+4.75 ~ +5.25V							Weight		2.9Kg			
DC Output Ripple & Noise	Vout	Standard Range		At Full Load											
	+3.3VDC	50mV								Protection Functions					
	+5VDC	50mV								Over-Current Protection (OCP)					
	+12VDC	120mV								Over-Voltage Protection (OVP)					
	-12VDC	120mV								Under-Voltage Protection (UVP)					
	+5VSB	50mV								Short-Circuit Protection (SCP)					
				Over-Power Protection (OPP)											
				Over-Temperature Protection (OTP)											

4) ZM1000-GVM Cable Specifications



4. Certifications



FC Tested To Comply
With FCC Standards
FOR HOME OR OFFICE USE



RoHS

McGrp.Ru



Сайт техники и электроники

Наш сайт McGrp.Ru при этом не является просто хранилищем [инструкций по эксплуатации](#), это живое сообщество людей. Они общаются на форуме, задают вопросы о способах и особенностях использования техники. На все вопросы очень быстро находят ответы от таких же посетителей сайта, экспертов или администраторов. Вопрос можно задать как на форуме, так и в специальной форме на странице, где описывается интересующая вас техника.