

# ***fubag***

Инверторная электростанция  
Inverter power station

## Operator's Manual Инструкция по эксплуатации

**TI** 1000

**TI** 2000

**TI** 2600



[www.fubag.ru](http://www.fubag.ru)

**WARNING! BEFORE USING THE MACHINE READ THE INSTRUCTION MANUAL CAREFULLY!**

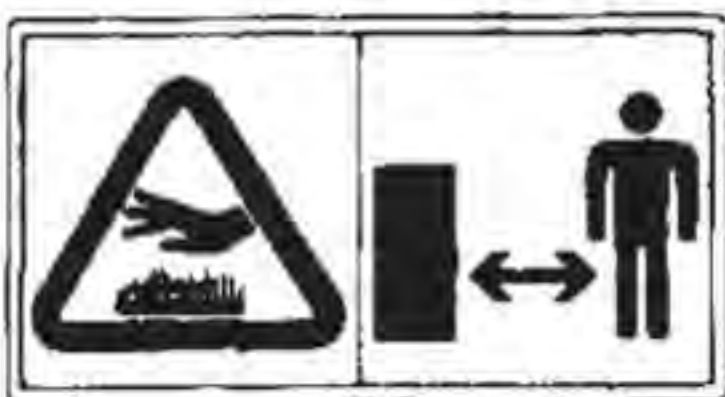
Our generators FUBAG are designed to give safe and dependable service if operated according to instructions.

Read and understand the manual before operating the generator FUBAG. Failure to do so could result in personal injury or equipment damage.

**1. General safety**

Exhaust gas contains poisonous carbon monoxide.

Never run the generator in an enclosed area. Be sure to provide adequate ventilation. When installed in ventilated protection are to be observed.



The muffler becomes very hot during operation and remains hot for a while after stopping the engine.

Be careful not to touch the muffler while it is hot. Let the engine cool before storing the generator indoors. The engine exhaust system will be heated during operation and remain hot immediately after stopping the engine.

To prevent scalding, pay attention to the warning marks attached to the generator.



Gasoline is extremely flammable and explosive under certain conditions. Refuel in a well ventilated area with the engine stopped.

Keep away from cigarette, smoke and sparks when refueling the generator. Always refuel in a well-ventilated location.

Wipe up spilled gasoline at once.

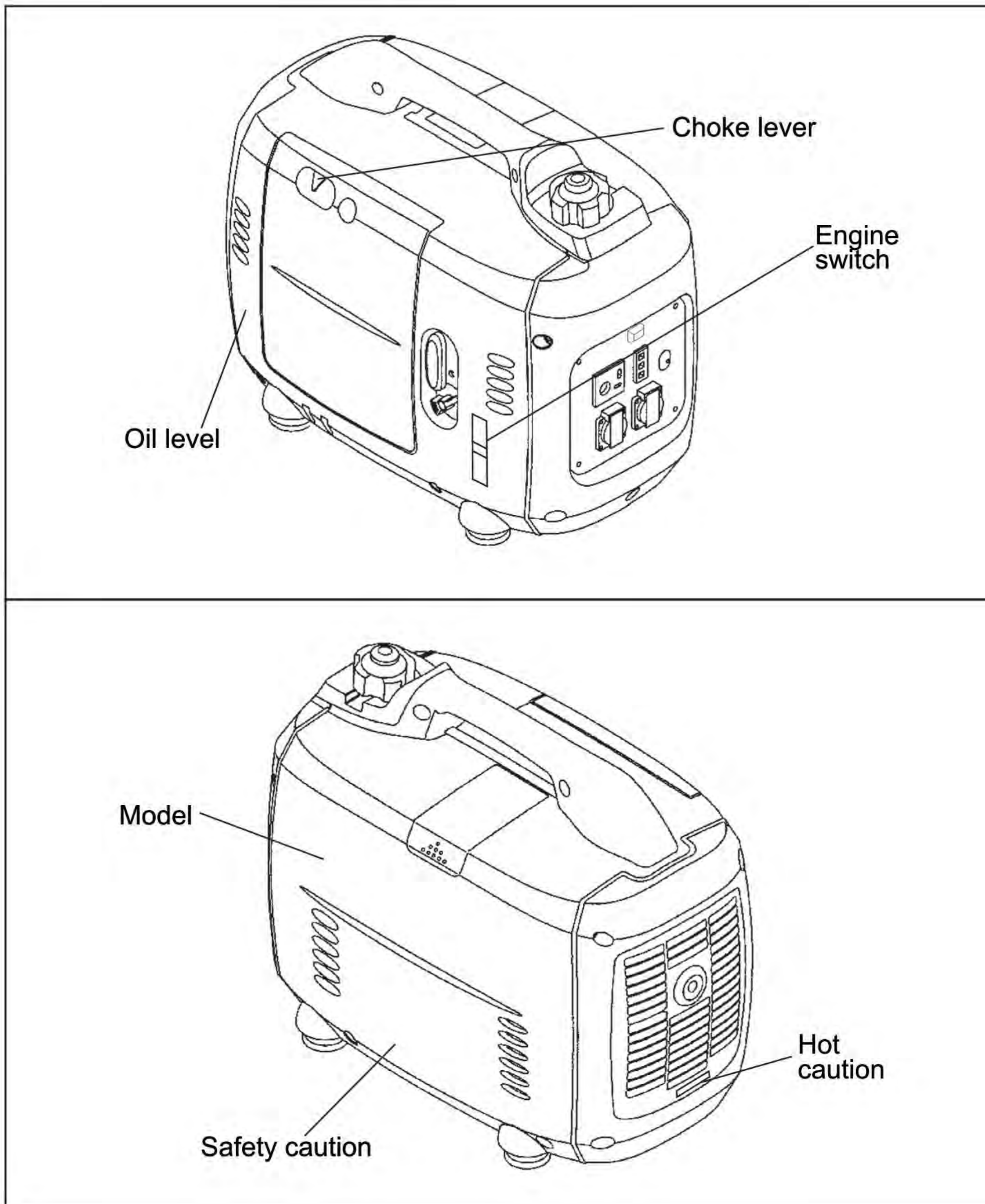
**! WARNING!**

Connections for standby power to a building's electrical system must be made by a qualified electrician and must comply with all applicable laws and electrical codes. Improper connections can allow electrical current from the generator to back feed into the utility lines. Such back feed may electrocute utility company workers or others who contact the lines during a power outage, and when utility power is restored, the generator may explode, burn or cause fires in the building's electrical system.

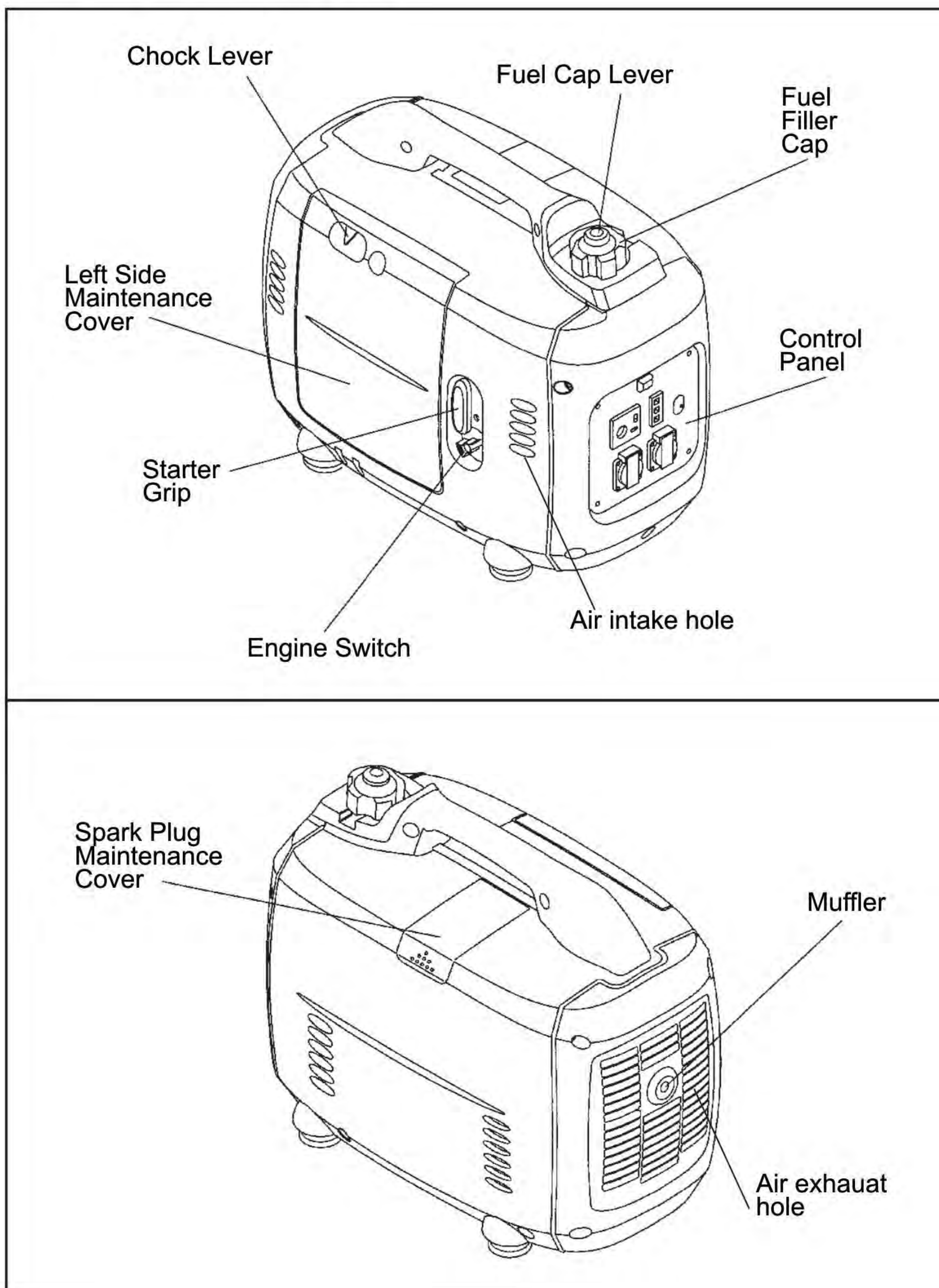
**! WARNING!**

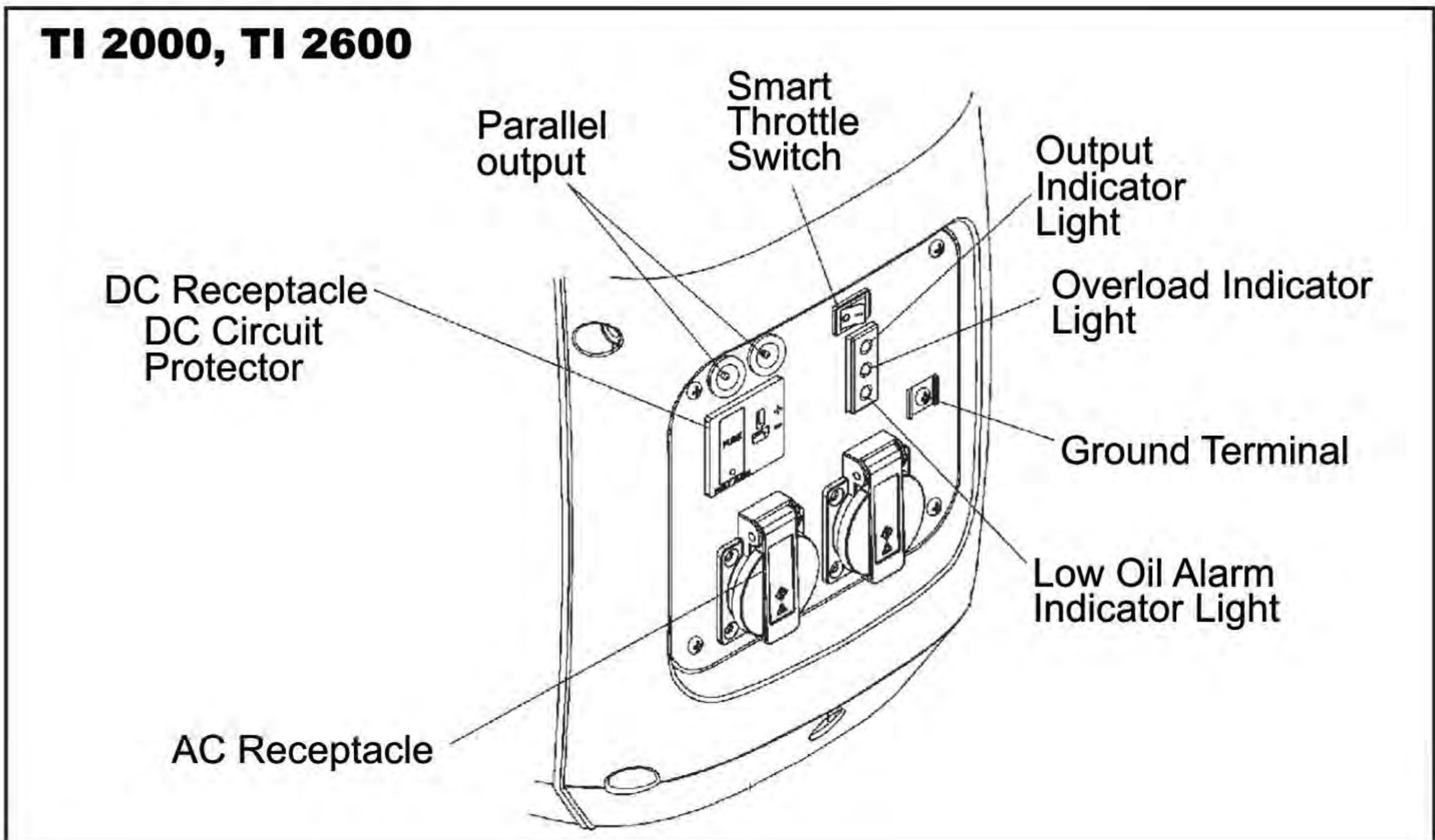
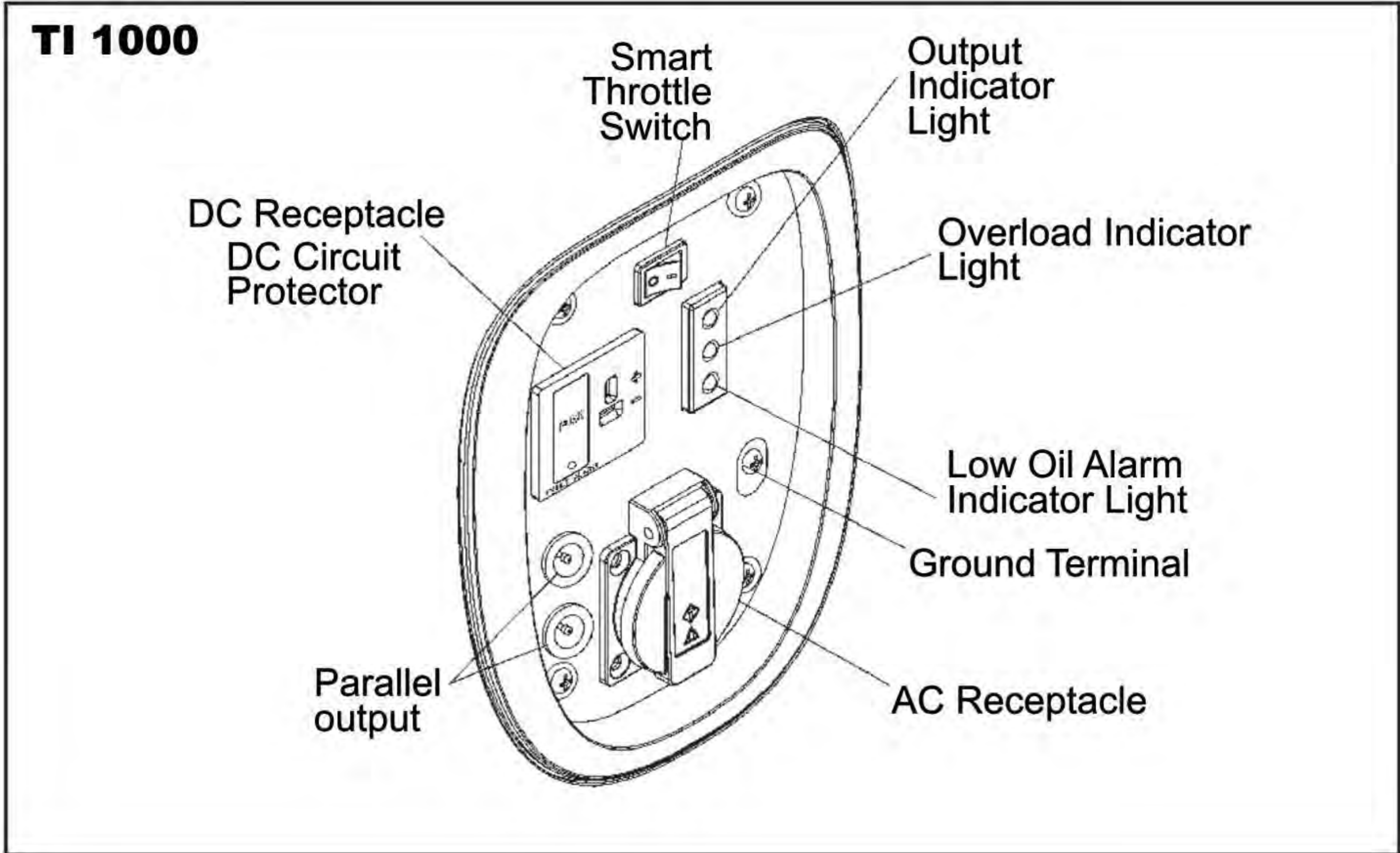
- Always make a pre-operation inspection before you start the engine. You may prevent an accident or equipment damage.
- Place the generator at least 1m away from buildings or other equipment during operation.
- Operate the generator on a level surface. If the generator is tilted, fuel spillage may result.
- Know how to stop the generator quickly and understand operation of all the controls. Never permit anyone to operate the generator without proper instructions.
- Keep children and pets away from the generator when it is in operation.
- Keep away from rotating parts while the generator is running.
- The generator is a potential source of electrical shocks when misused; do not operate with wet hands.
- Do not operate the generator in rain or snow and do not let it get wet.

These labels warn you of potential hazards that can cause serious injury. Read the labels and safety notes and precautions described in this manual carefully. If a label comes off or becomes hard to read, contact your dealer for a replacement.



## 2. Component identification





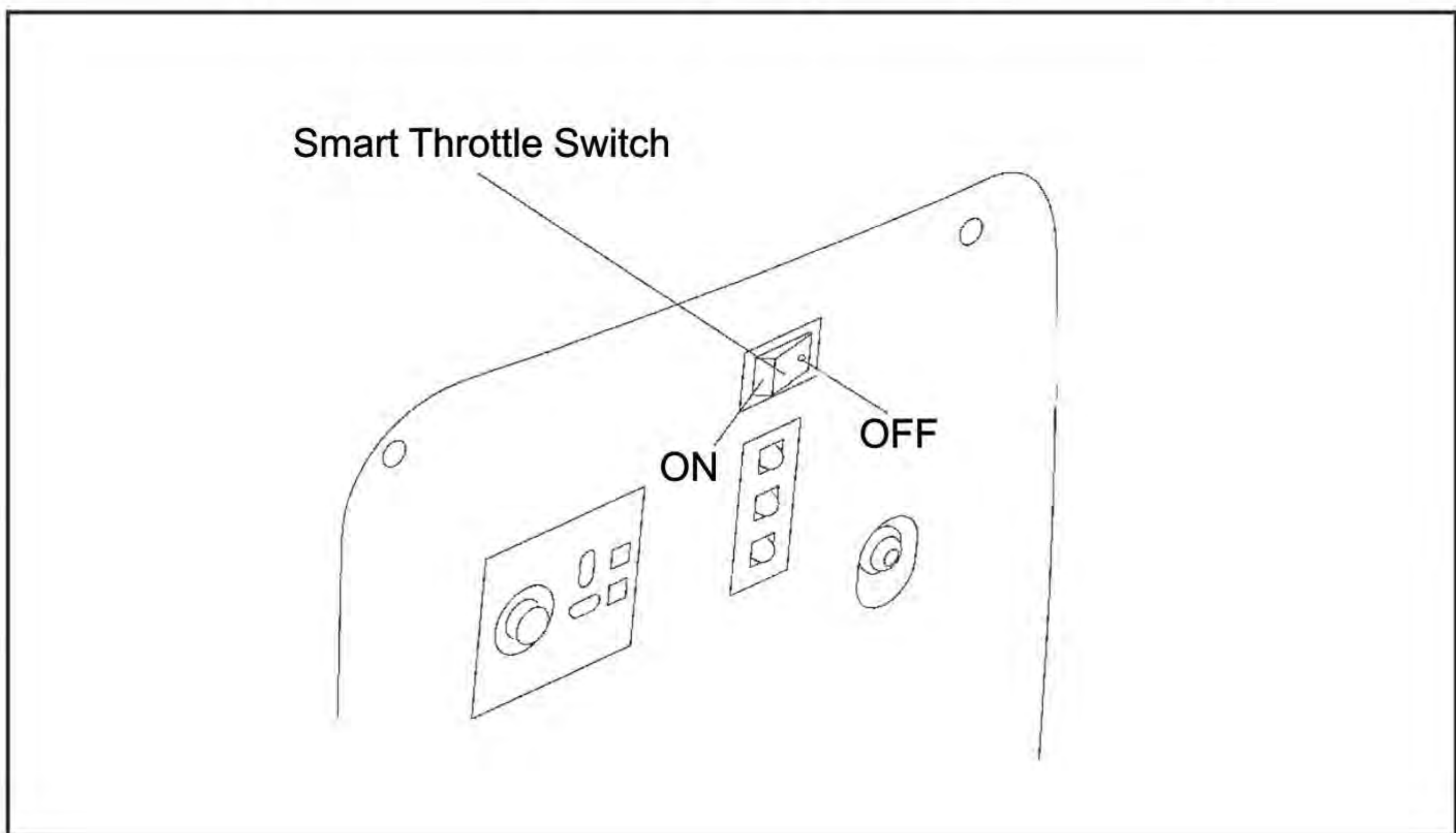
## Smart throttle

Engine speed is kept at idle automatically when the electrical appliance is disconnected and it returns to the proper speed to power of the electrical load when electrical appliance is connected. This position is recommended to minimize the fuel consumption while in operation.

**! WARNING!**

- Smart throttle system does not operate effectively if the electrical appliance requires the momentary electric power.
- When high electrical loads are connected simultaneously, turn the smart throttle switch to the OFF position to reduce voltage changes.
- In DC operation, turn the smart throttle switch to the OFF position
- Smart throttle system is supposed to be used at connection of the general active loading which are not exceeding 75 % of the nominal.

**Note:** Smart throttle system does not operate. Engine speed is kept over rated speed.



### 3. Specifications

Specifications	Model		
	TI 1000	TI 2000	TI 2600
Rated voltage, V	220		
Rated frequency, Hz	50		
Rated current, A	3,9	7	10
Rated speed, rpm	5500	4500	3600
Rated output, kVA	0,9	1,6	2,3
Max. output, kVA	1	2	2,6
<b>DC output</b>			
DC voltage, V/A	12/8,3		
Electric circuit breaker	available		
No. of Phase	single		
<b>Engine</b>			
Model	<b>KG144</b>	<b>KG158</b>	<b>KG166</b>
Type	single cylinder, 4 stroke, air-cooled, gasoline engine		
Displacement, ml	53,5	105,6	171
Bore/Stroke, mm	43,5/36	58/40	66/50
Compression ratio	8,5:1	8,5:1	8,5:1
Rated power, kW	1,3/5500	2,2/4500	3,3/3600
Rated rotation speed, rpm	5500	4500	3600
Ignition system	T.C.L		
Spark plug	A7RTC/UR5	A7RTC/UR5	WR7DC
Starting system	recoil starter		
Fuel	automotive unleaded gasoline		
Fuel consumption, g /kW.h	500	500	500
Oil tank capacity, L	0,25	0,4	0,6
Lube oil	CD grade or SAE 10W30, 15W-40		
Fuel tank capacity, L	2,6	3,7	4,6
Continuous running time, hr	4	3,5	3
Noise level, dB(A)/7m	54-59	54-59	58-65
Ambient temperature, °C	at -5 to +40		
Relative humidity, %	at 30 to 90 (25°C)		
Ambient pressure, kPa	100		
Overall dimension, LxWxH, mm	460x248x395	520x300x425	564x317x453
Dry weight, kg	14	22	26

The manufacturer reserves himself the right to make the manual's content or welder's function change without any preliminary notification of the users.

#### Packing:

- Plug 2 pc (TI 1000 - 1 pc)
- Spark plug sleeve
- Oil container
- 12V DC adapter



## 4. Pre-operation check

Be sure to check the generator on a level surface with the engine stopped.

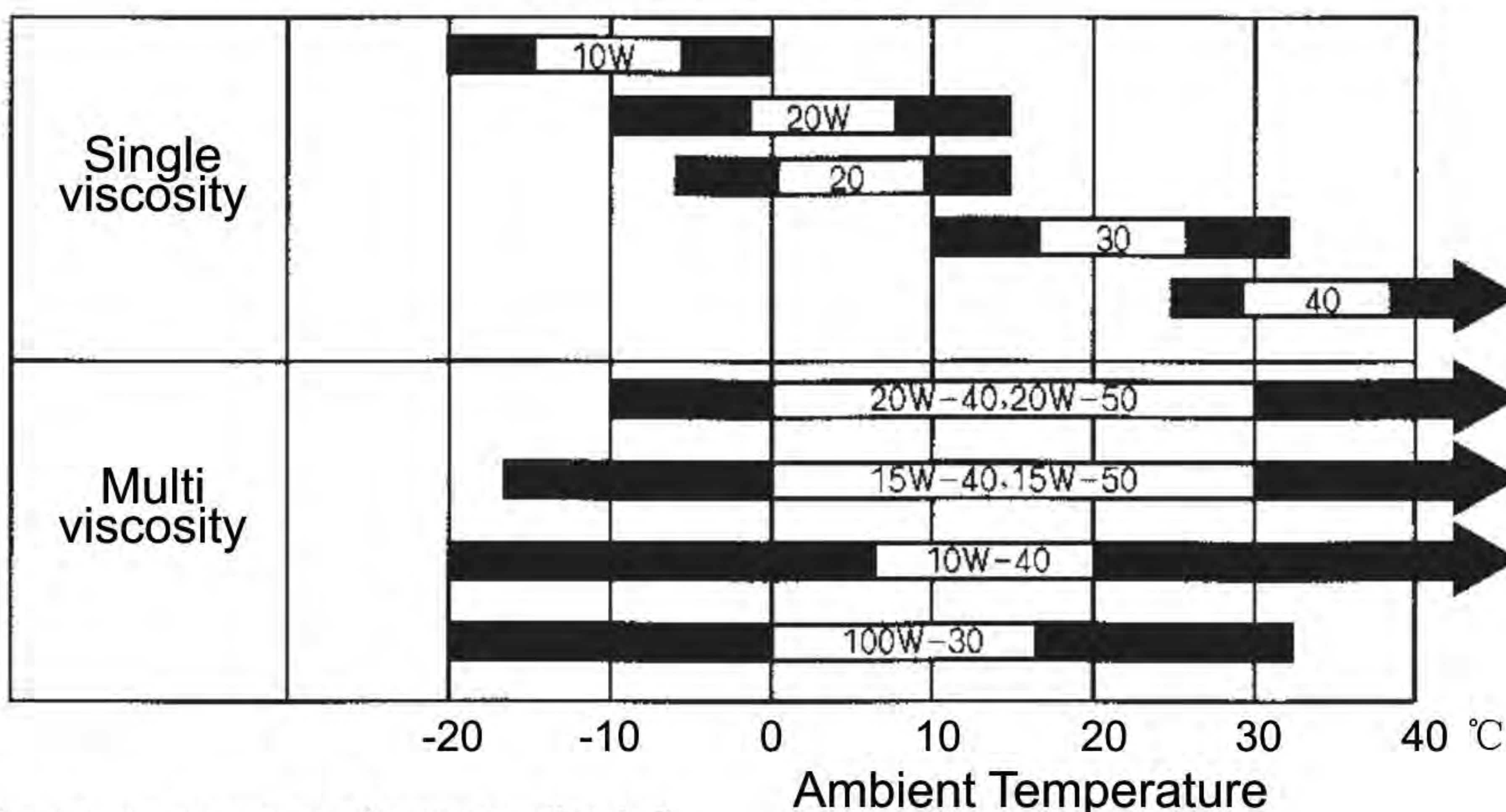
### Check the engine oil level.



Using nondetergent oil or 2-stroke engine oil could shorten the engine's service life. Use high-detergent, premium quality 4-stroke engine oil, certified to meet or exceed U.S. automobile manufacturer's requirements for API Service Classification SG, SF.

Select the appropriate viscosity for the average temperature in your area.

### SAE Viscosity Grades



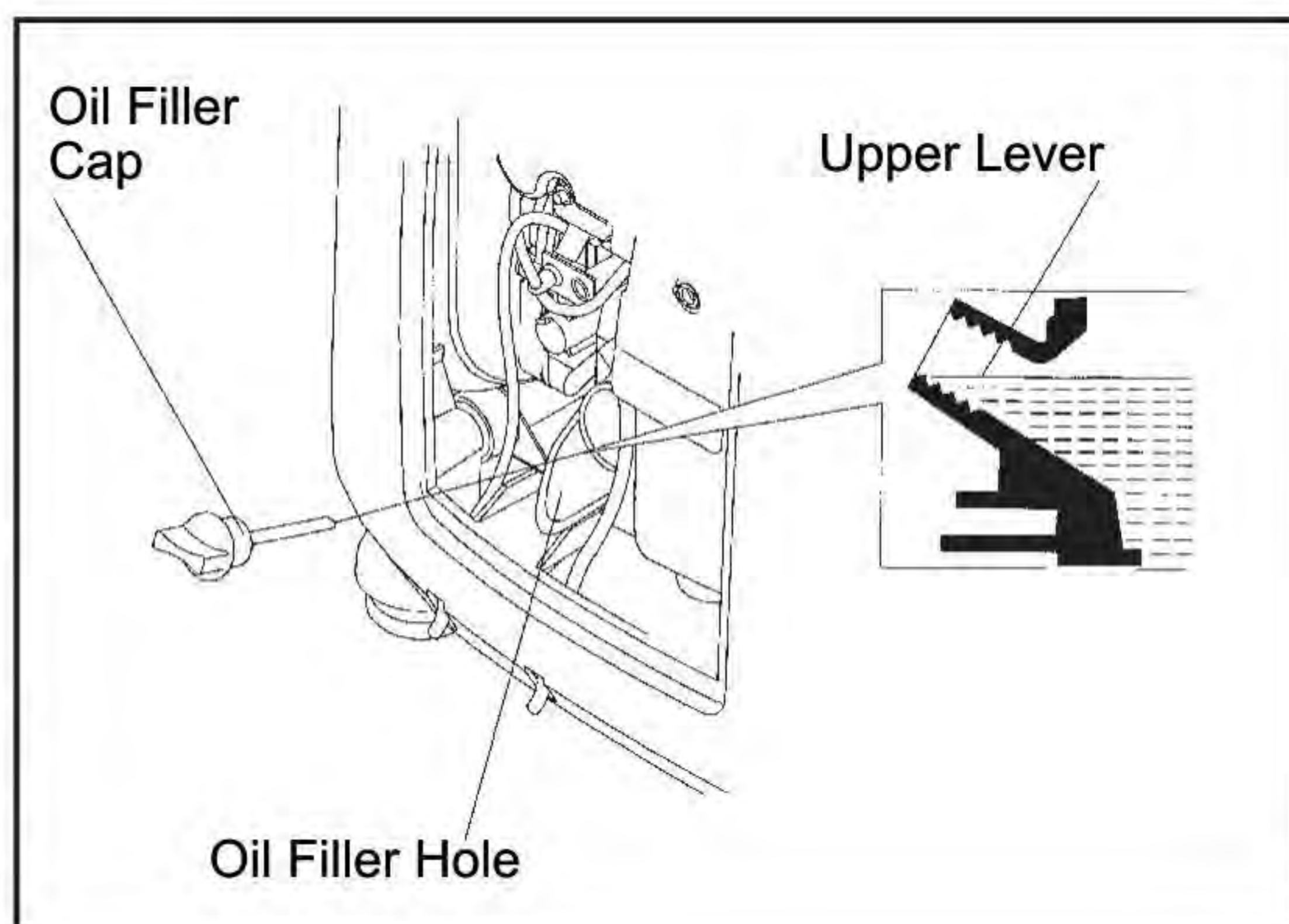
Loosen the cover screw and remove the left side maintenance cover. Remove the oil filler cap, and wipe the dipstick with a clean rag. Check the oil level by inserting the dipstick in the filler hole without screwing it in.

If the oil level is below the end of the dipstick, refill the recommended oil up to the top of the oil filler neck.



Running the engine with insufficient oil can cause serious engine damage.

The Low Oil Alarm System will automatically stop the engine before the oil level falls below the safe limit. However, to avoid the inconvenience of an unexpected shutdown, it is still advisable to visually inspect the oil level regularly.



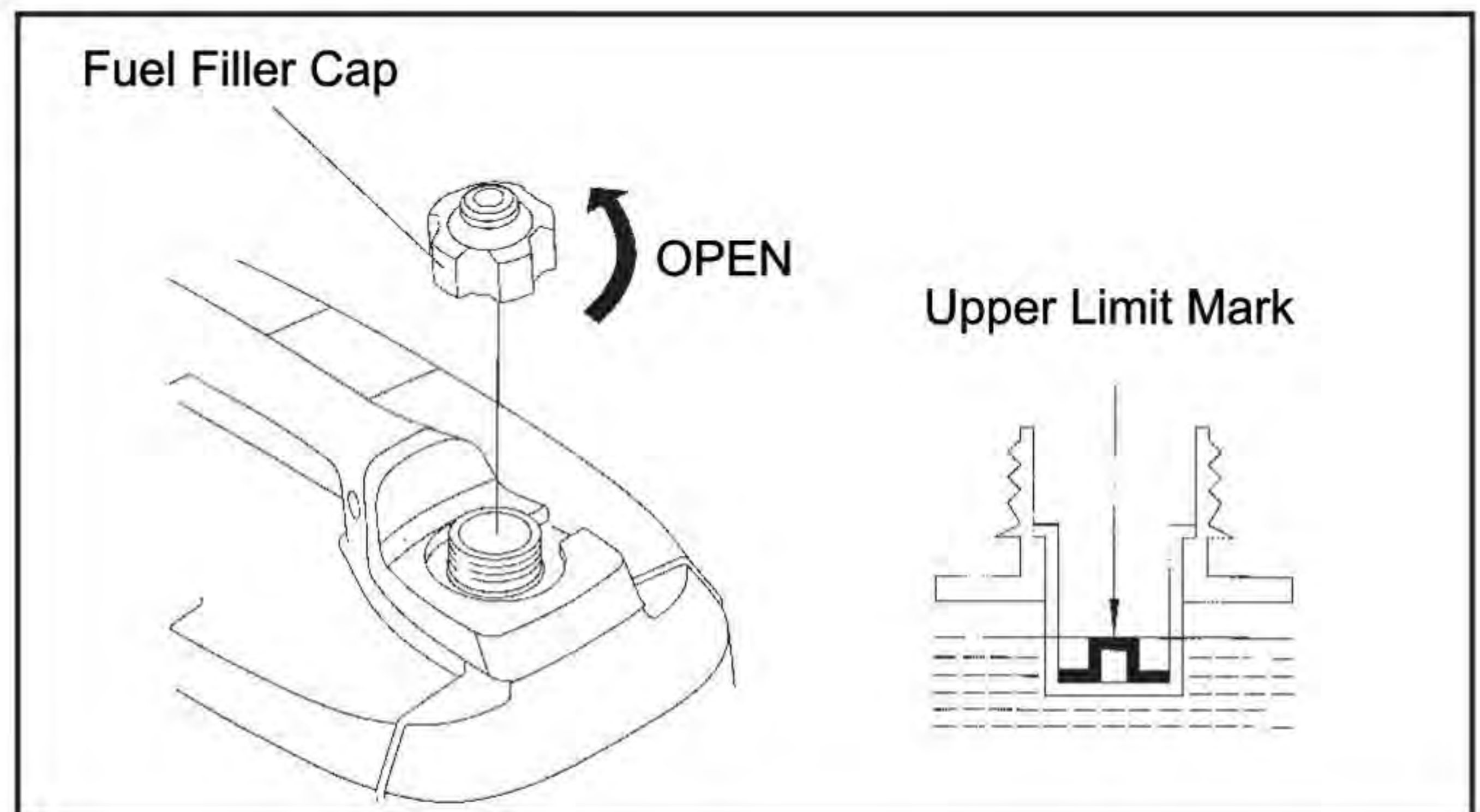
## Check the fuel level.

Use automotive gasoline (Unleaded or lowleaded is preferred to minimize combustion chamber deposits). If the fuel level is low, refuel the fuel tank until the level as specified. Never use an oil/gasoline mixture or dirty gasoline. Avoid getting dirt, dust or water in the fuel tank. After refueling, tighten the fuel filler cap securely.

- Gasoline is extremely flammable and is explosive under certain conditions.
- Refuel in a well-ventilated area with the engine stopped. Do not smoke or allow flames or sparks in the area where the engine is refueled or where gasoline is stored.
- Do not overfill the fuel tank (there should be no fuel above the upper limit mark). After refueling, make sure the tank cap is closed properly and securely.

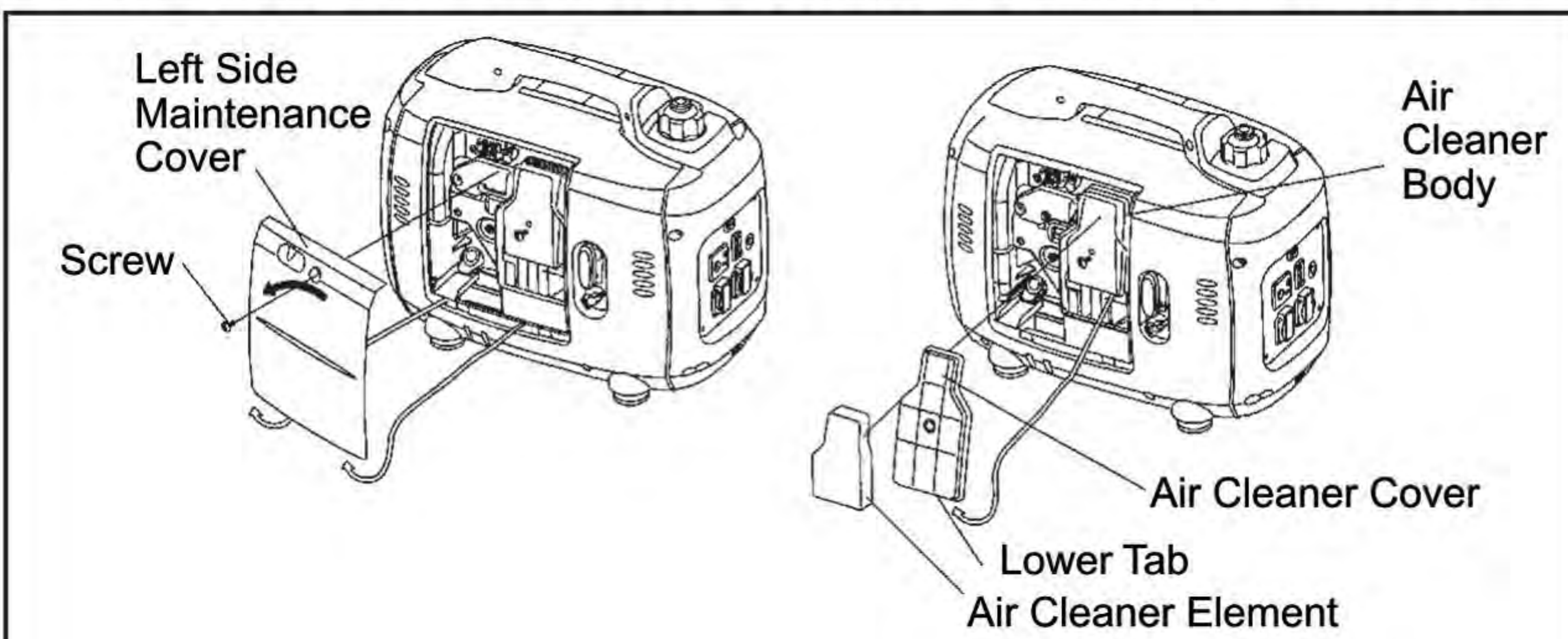


- Be careful not to spill fuel when refueling. Spilled fuel or fuel vapor may ignite, If any fuel is spilled, make sure the area is dry before starting the engine.
- Avoid repeated or prolonged contact with skin or breathing of vapor.



## Check the air cleaner.

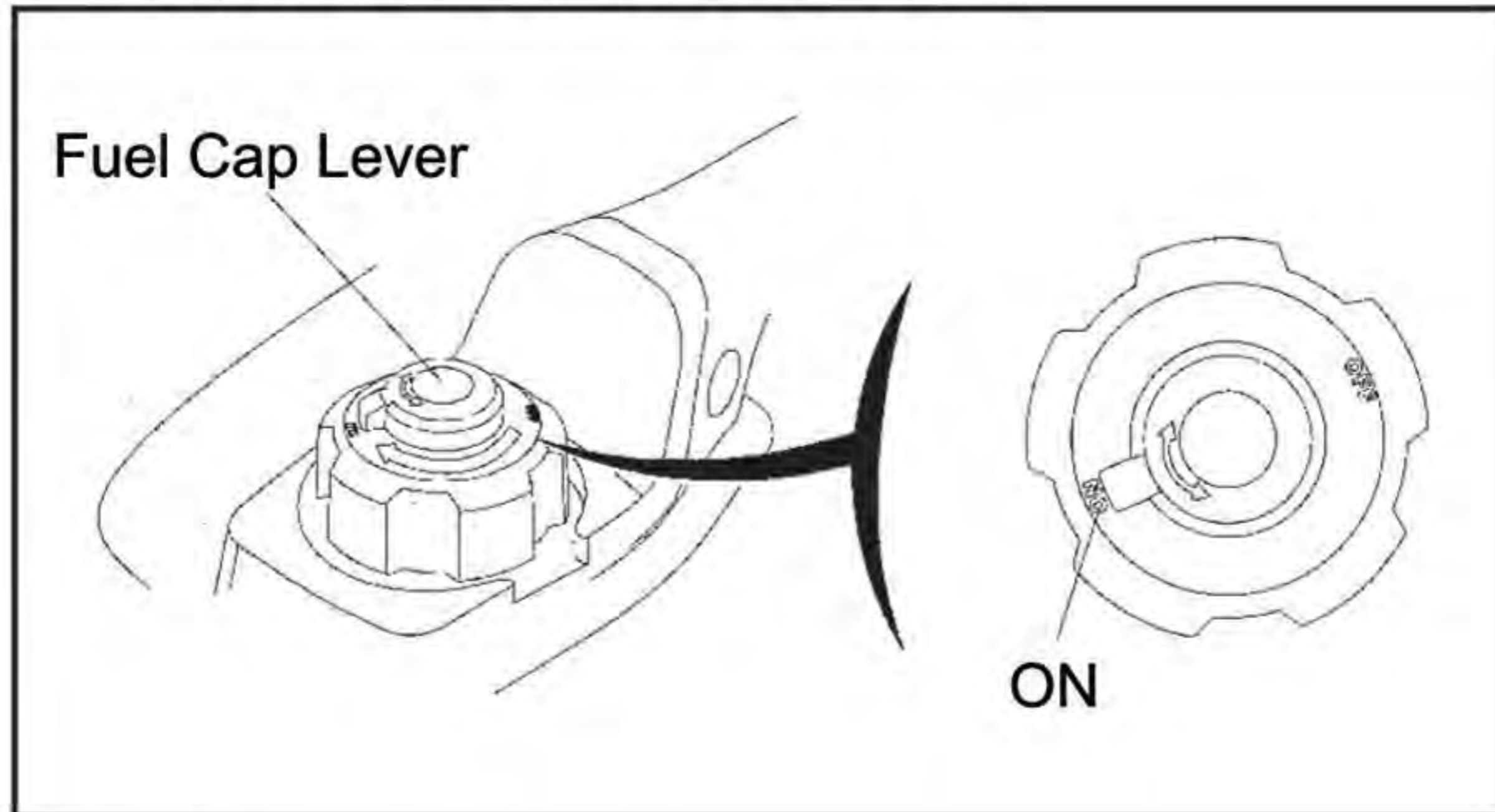
Check the air cleaner element to be sure it is clean and in good condition. Loosen the cover screw and remove the left side maintenance cover. Press the latch tab on the top of the air cleaner body, remove the air cleaner cover, check the element. Clean or replace the element if necessary.



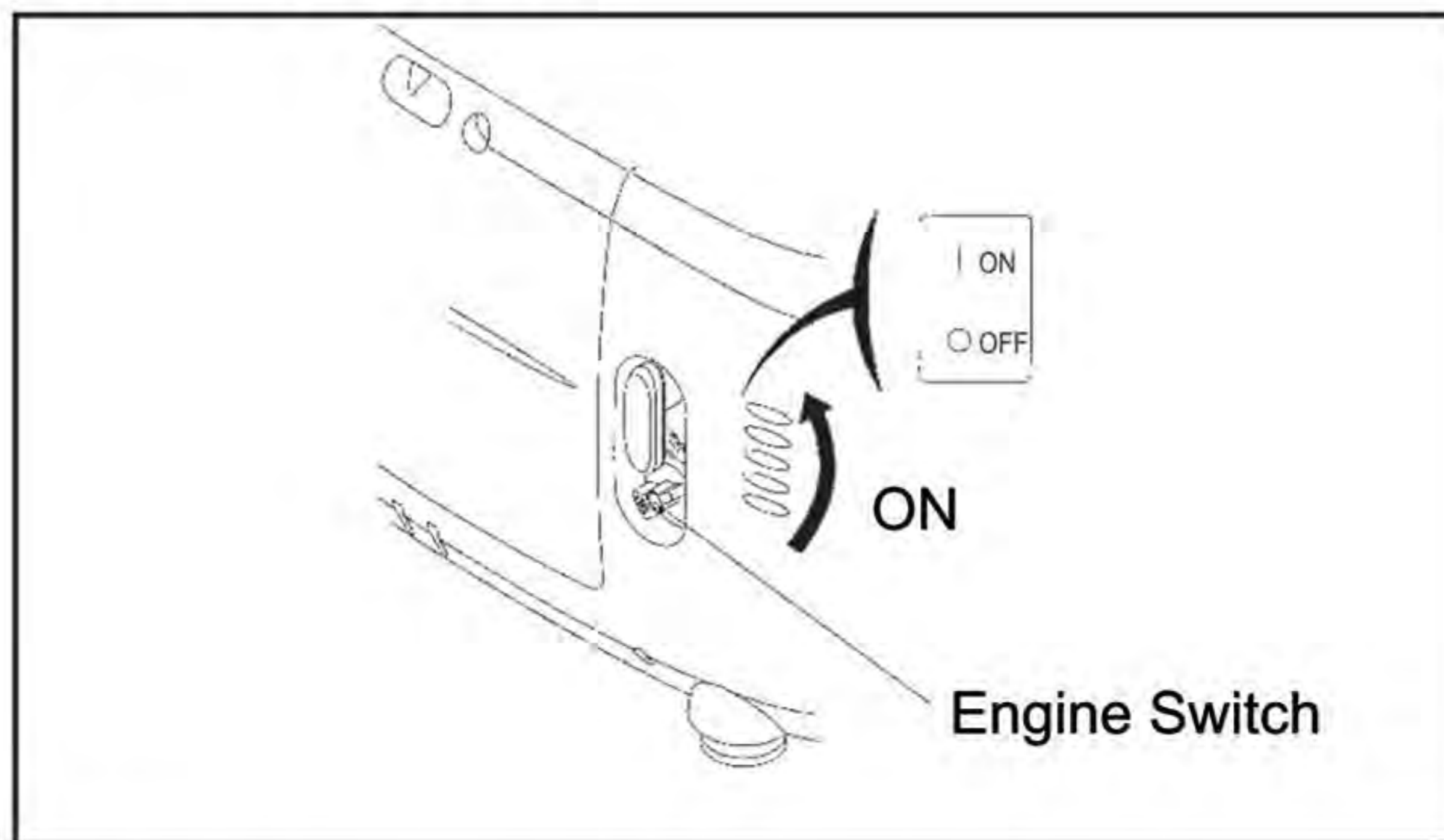
## 5. Starting the engine

Before starting the engine, disconnect the load from the DC terminals.

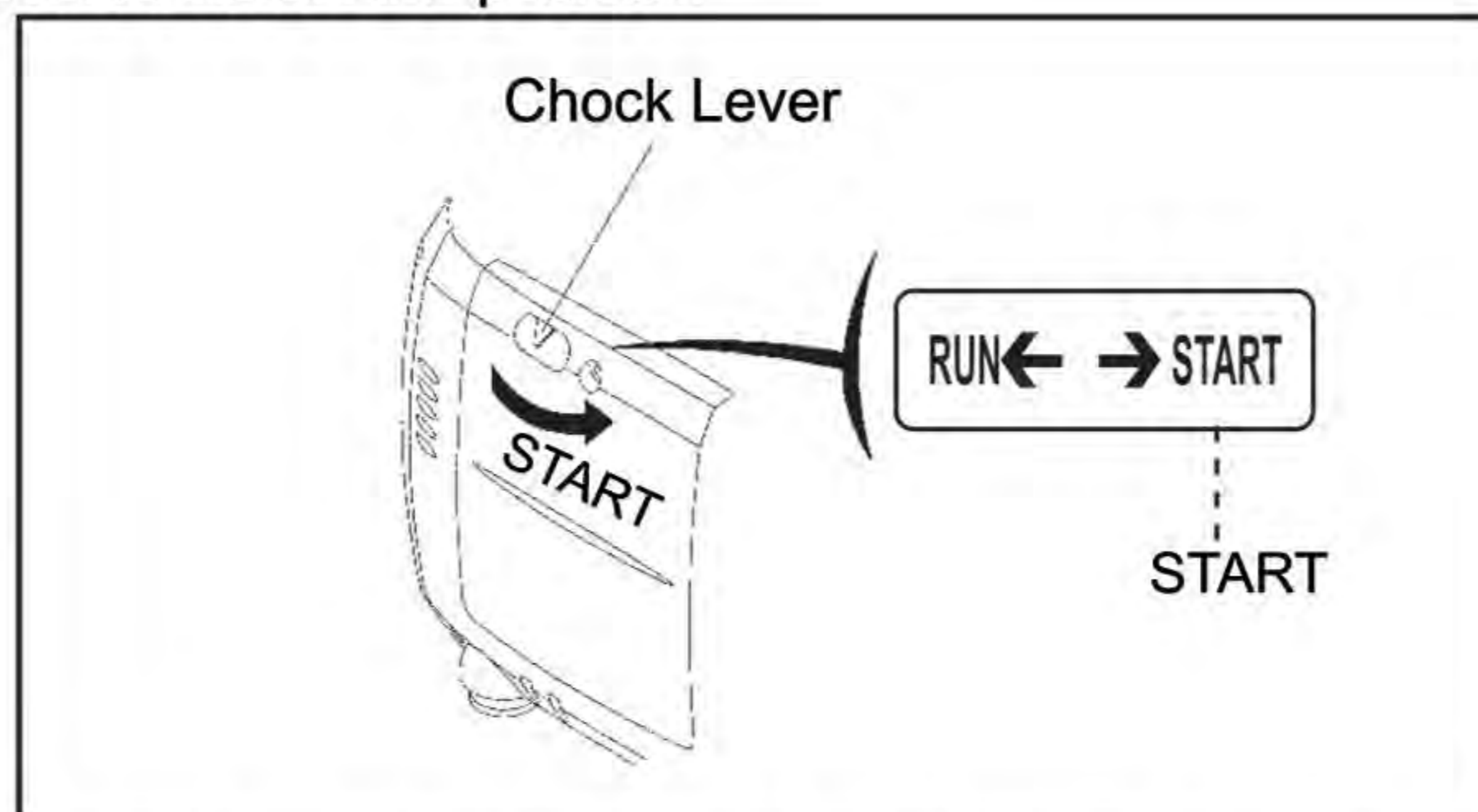
1. Turn the fuel cap lever fully clockwise to the ON position.



2. Turn the engine switch to the ON position.

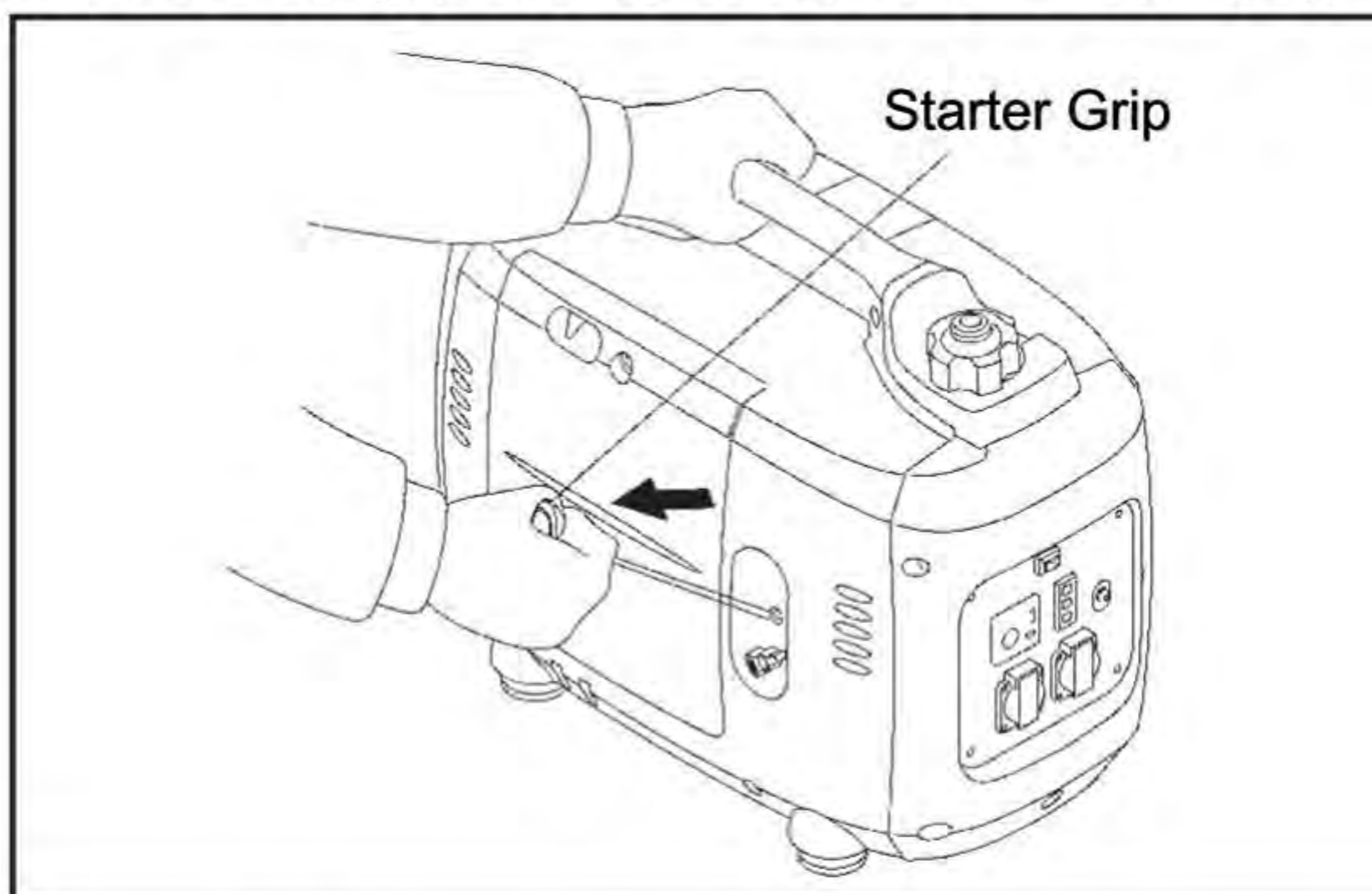


3. Move the choke lever to the START position.

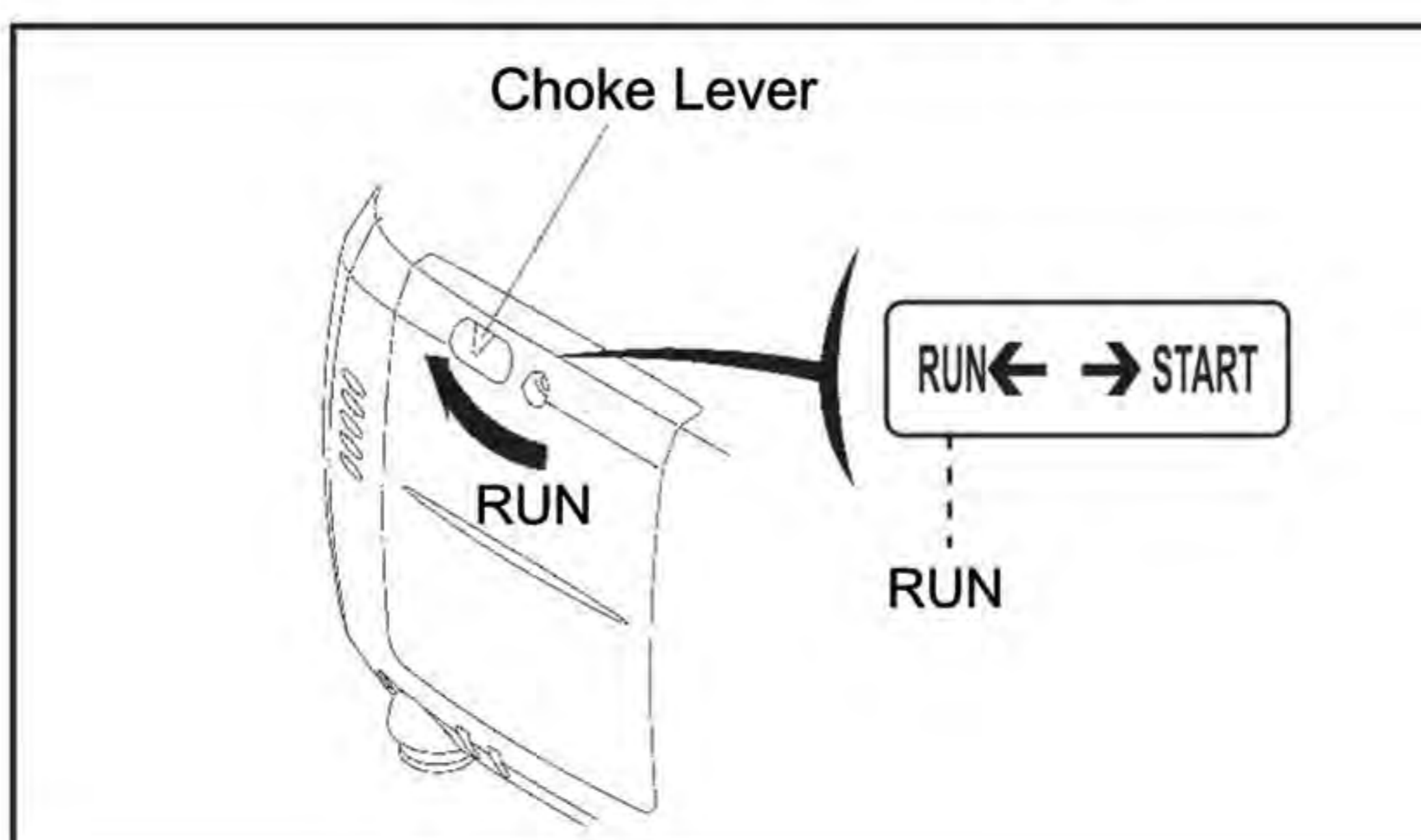


Do not use the choke when the engine is warm or the air temperature is high.

4. Pull the starter grip until resistance is felt, then pull the starter grip briskly toward the arrow as shown below. Do not allow the starter grip to snap back, Return it slowly by hand.



5. Move the choke lever to the RUN position after the engine warms up. If the engine stops and will not restart, check the engine oil level before troubleshooting in other areas.



### High altitude operation.

At high altitude, the standard carburetor air-fuel mixture will be excessively rich. Performance will decrease, and fuel consumption will increase. High altitude performance can be improved by installing a smaller diameter main fuel jet in the carburetor and readjusting the pilot screws. If you always operate the generator at altitudes higher than 1,500 m (5,000 feet) above sea level, have your authorized dealer perform these carburetor modifications.

Even with suitable carburetor jetting, engine horsepower will decrease approximately 3.5% for each 305m (1,000 feet) increase in altitude. The affect of altitude on the horsepower will be greater than this if no carburetor modification is made.



Operation of the generator at an altitude lower than the carburetor is jetted for may result in reduced performance, overheating, and serious engine damage caused by an excessively lean air/fuel mixture.

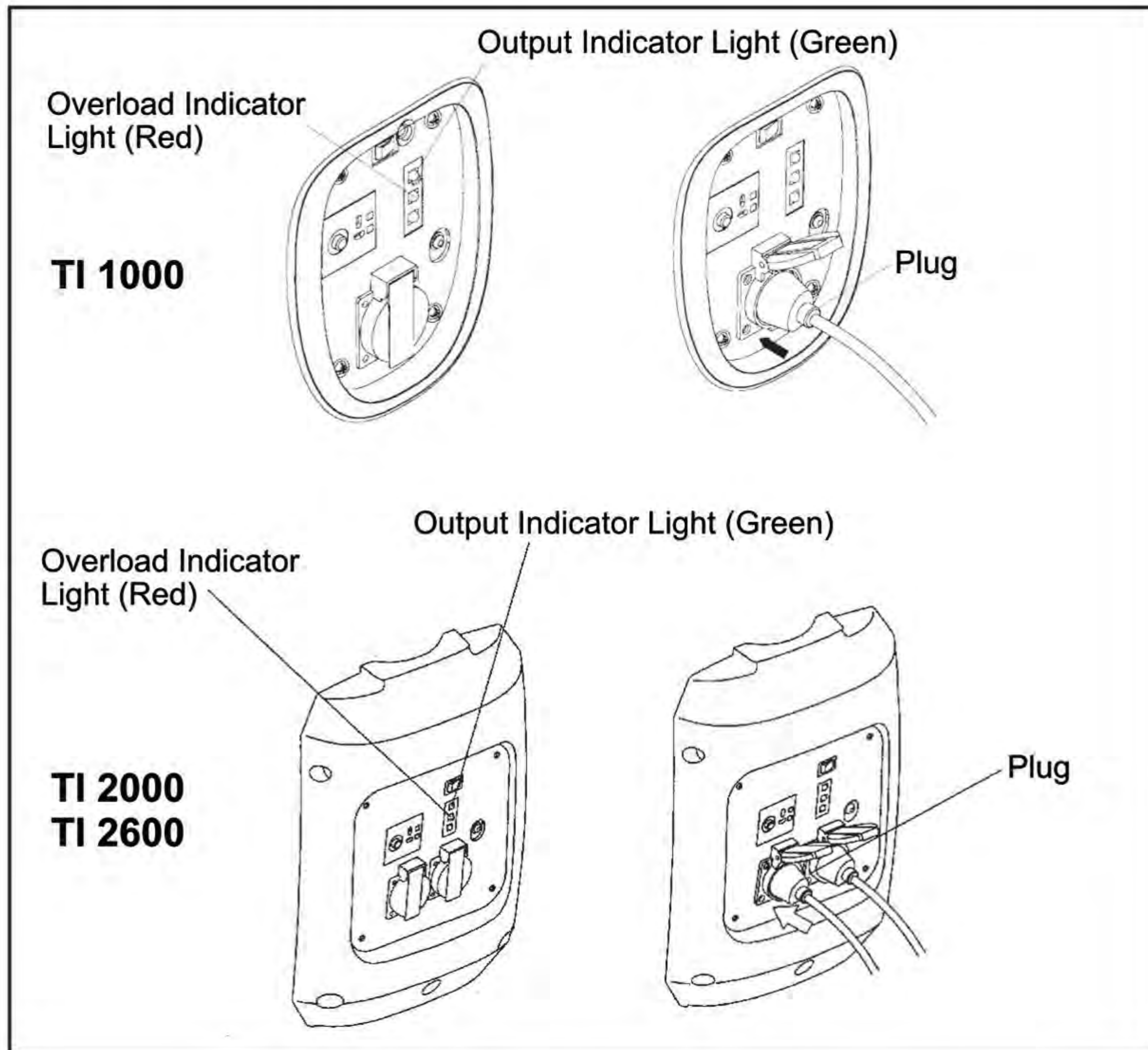
## 6. Generator use

 **WARNING!**

- To prevent electrical shock from faulty appliances, the generator should be grounded. Connect a length of heavy wire between the generator's ground terminal and an external ground source.
- Connections for standby power to a building's electrical system must be made by a qualified electrician and must comply with all applicable laws and electrical codes. Improper connections can allow electrical current from the generator to backfeed into the utility lines. Such backfeed may electrocute utility company workers or others who contact the lines during a power outage, and when utility power is restored, the generator may explode, burn, or cause fires in the building's electrical system.
- Limit operation requiring maximum power to 10 minutes. For continuous operation, do not exceed the rated power. In either case, the total wattage of all appliances connected must be considered.
- Do not exceed the current limit specified for any one receptacle.
- Do not connect the generator to a household circuit. This could cause the damage to the generator or to electrical appliances in the house.
- Do not modify or use the generator for other purposes than it is intended for. Also observe the following when using the generator:
  - Do not connect generators in parallel;
  - Do not connect an extension to the exhaust pipe.
- When an extension cable is required, be sure to use a tough rubber sheathed flexible cable.
- Limit length of extension cables; 60m for cables if 1,5mm<sup>2</sup> and 100m for cables of 2,5mm<sup>2</sup>.
- Keep the generator away from other electric cables or wires such as commercial power supply lines.
- The DC receptacle can be used while the AC power is in use. if you use both at the same time, be sure not to exceed the total power for AC and DC.
- Most appliance motors require more than their rated watt-age for start-up.

## AC applications

1. Start the engine and make sure the output indicator light (green) comes on.
2. Confirm that the appliance to be used is switched off, and plug in the appliance.



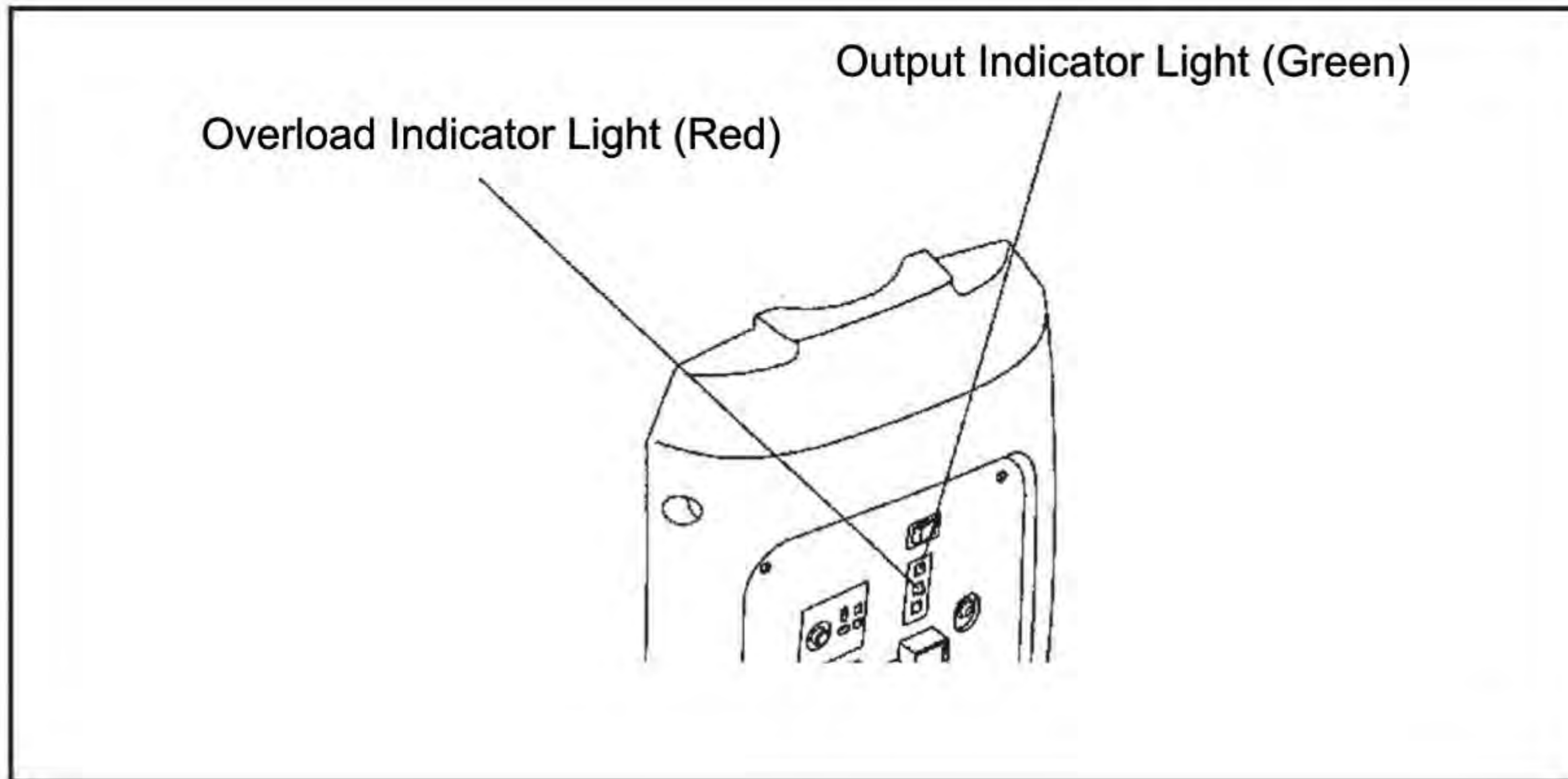
**⚠ WARNING!**

- Substantial overloading that continuously lights the overload indicator light (red) may damage the generator. Marginal overloading that temporarily lights the overload indicator light (red) may shorten the service life of the generator.
- Be sure that all appliances are in good working order before connecting them to the generator. If an appliance begins to operate abnormally, becomes sluggish, or stops suddenly, turn off the generator engine switch immediately. Then disconnect the appliance, and examine it for signs of malfunction.

3. In order to acquire both the best effect and the maximum service life of the generator. Usually, the new generator should run 20 hours under 50% load, the generator may reach the best performance.

## Output and overload Indicators

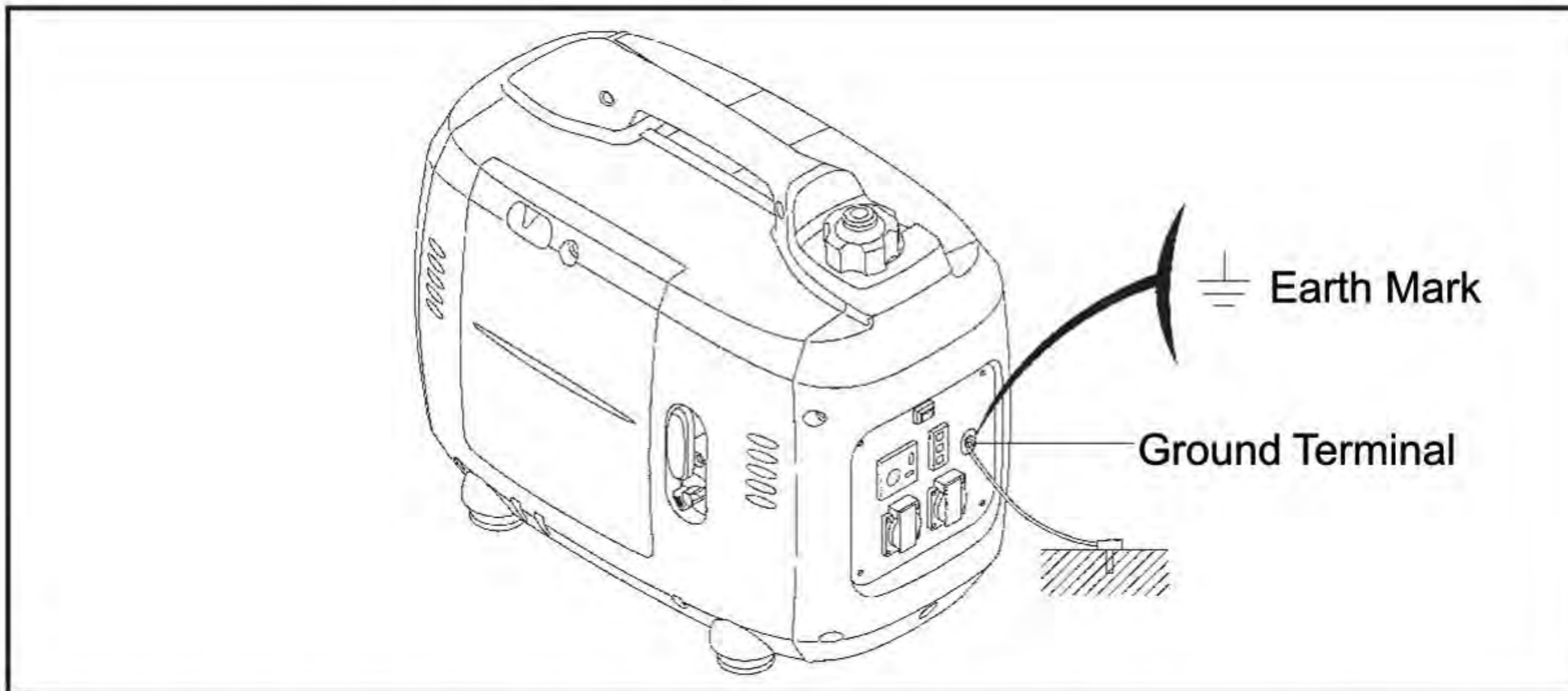
The output indicator light(green) will remain ON during normal operating conditions. If the generator is overloaded, or if there is a short in the connected appliance, the output indicator light(green) will go OFF, the overload indicator light(red) will go ON and current to the connected appliance will be shut off. Stop the engine if the overload indicator light (red) comes ON and investigate the overload source.



**! WARNING!**

- Before connecting an appliance to the generator, check that it is in good order, and that its electrical rating does not exceed that of the generator. Then connect the power cord of the appliance, and start the engine.
- When an electric motor is started, both the overload indicator light(red) and the output indicator light (green) may go on simultaneously. This is normal if the overload indicator light(red) goes off after about four (4) seconds. If the overload indicator light (red) stays on, consult your generator dealer.

1. Connect the ground terminal.

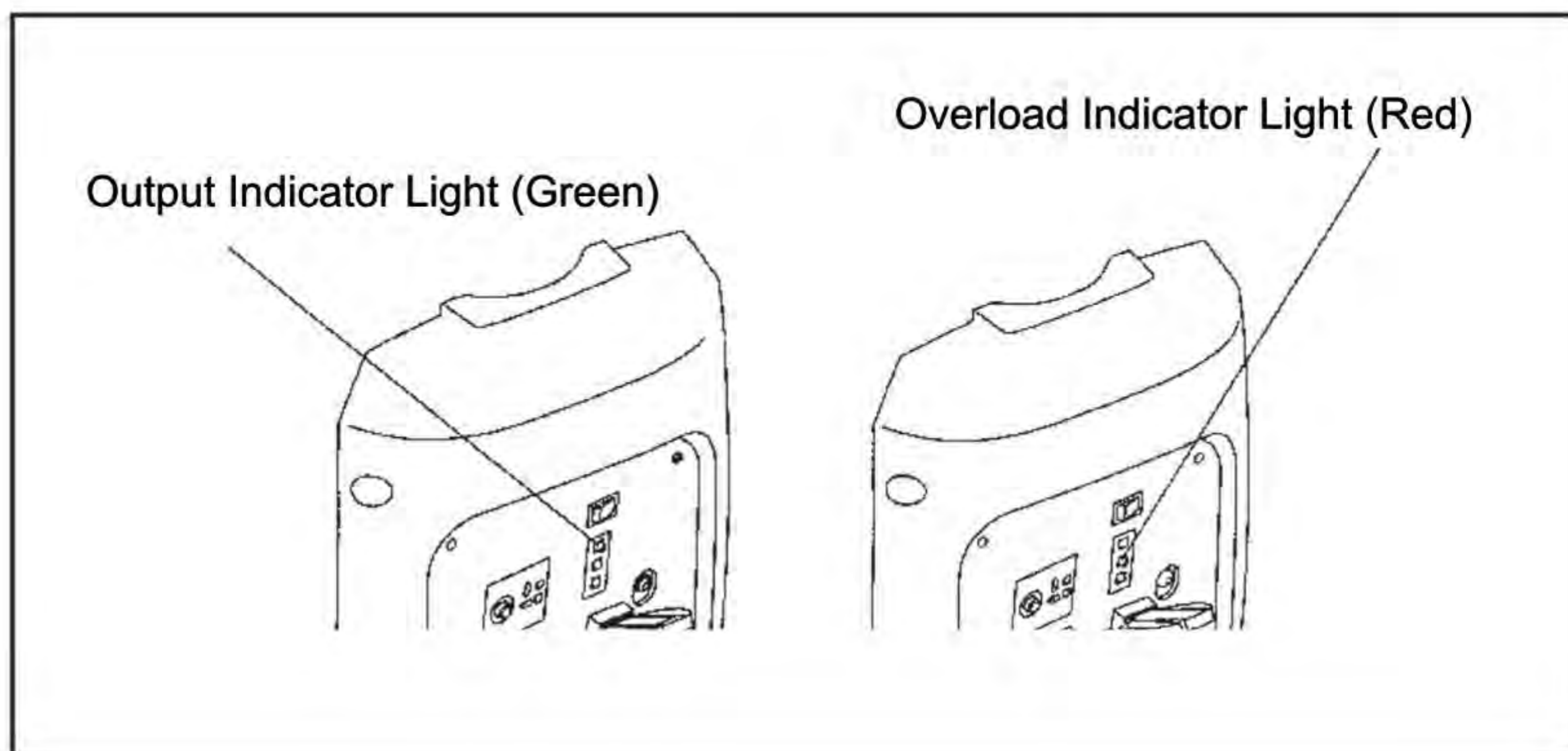


2. Start each engine according to "STARTING THE ENGINE". When the output indicator light (green) does not light and the overload indicator light (red) lights instead, set the engine switch to STOP, stop the engine at once and then start the engine again.

3. Confirm that the equipment to be used is switched off, and insert the plug of the equipment to be used into the AC receptacle.



- Confirm that the use equipment to be connected is switched off.
- When the equipment to be used is switched on, it will operate suddenly, and injuries or accidents may be caused.

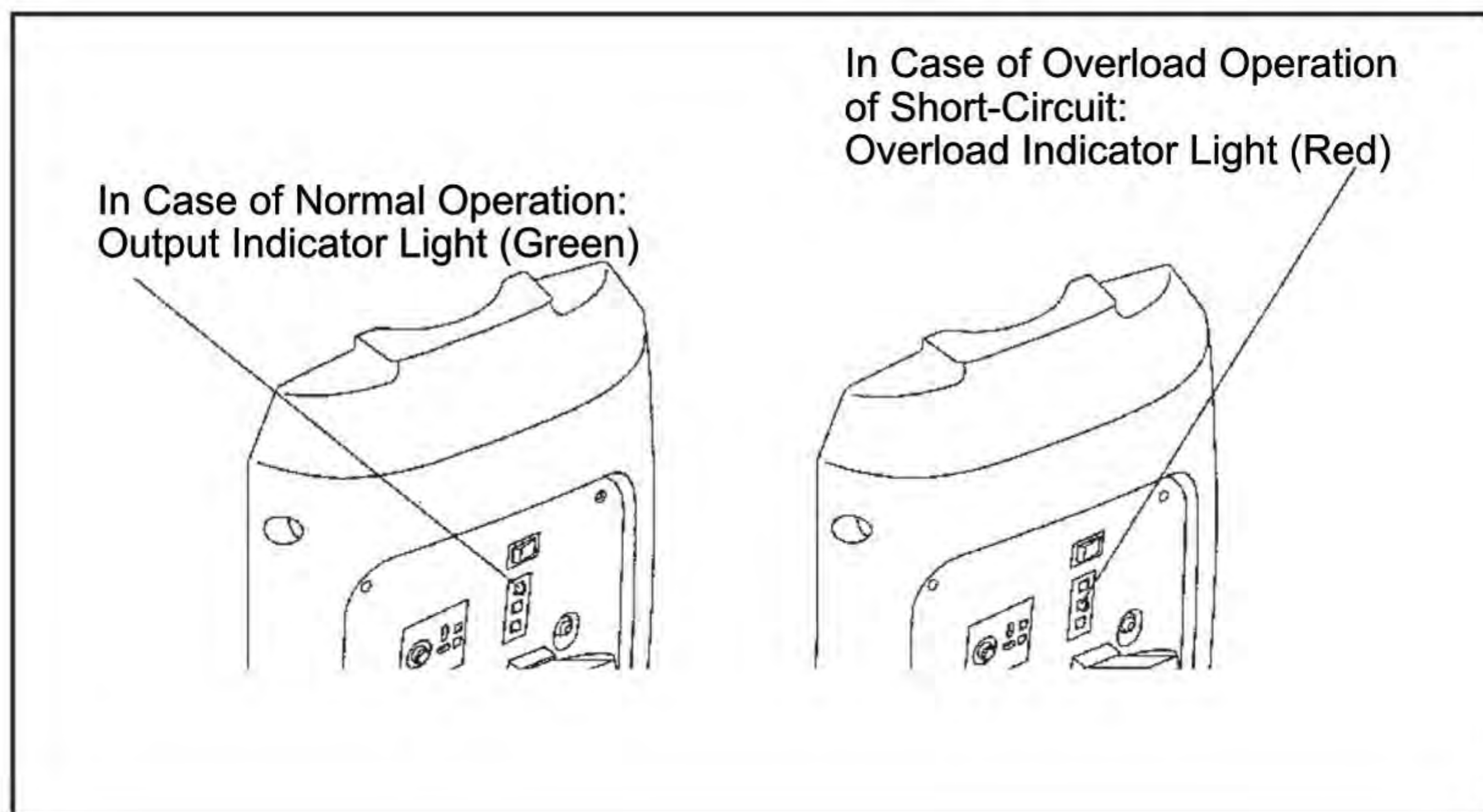




#### 4. Switch on the equipment to be used.

In case of overload operation or when trouble occurs for the equipment being used, the output indicator light(green) will go out, the overload indicator light(red) will light continuously, and no power will be put out.

At this time, the engine will not stop, so that the engine must be stopped by setting the respective engine switch to STOP.



**CAUTION!**

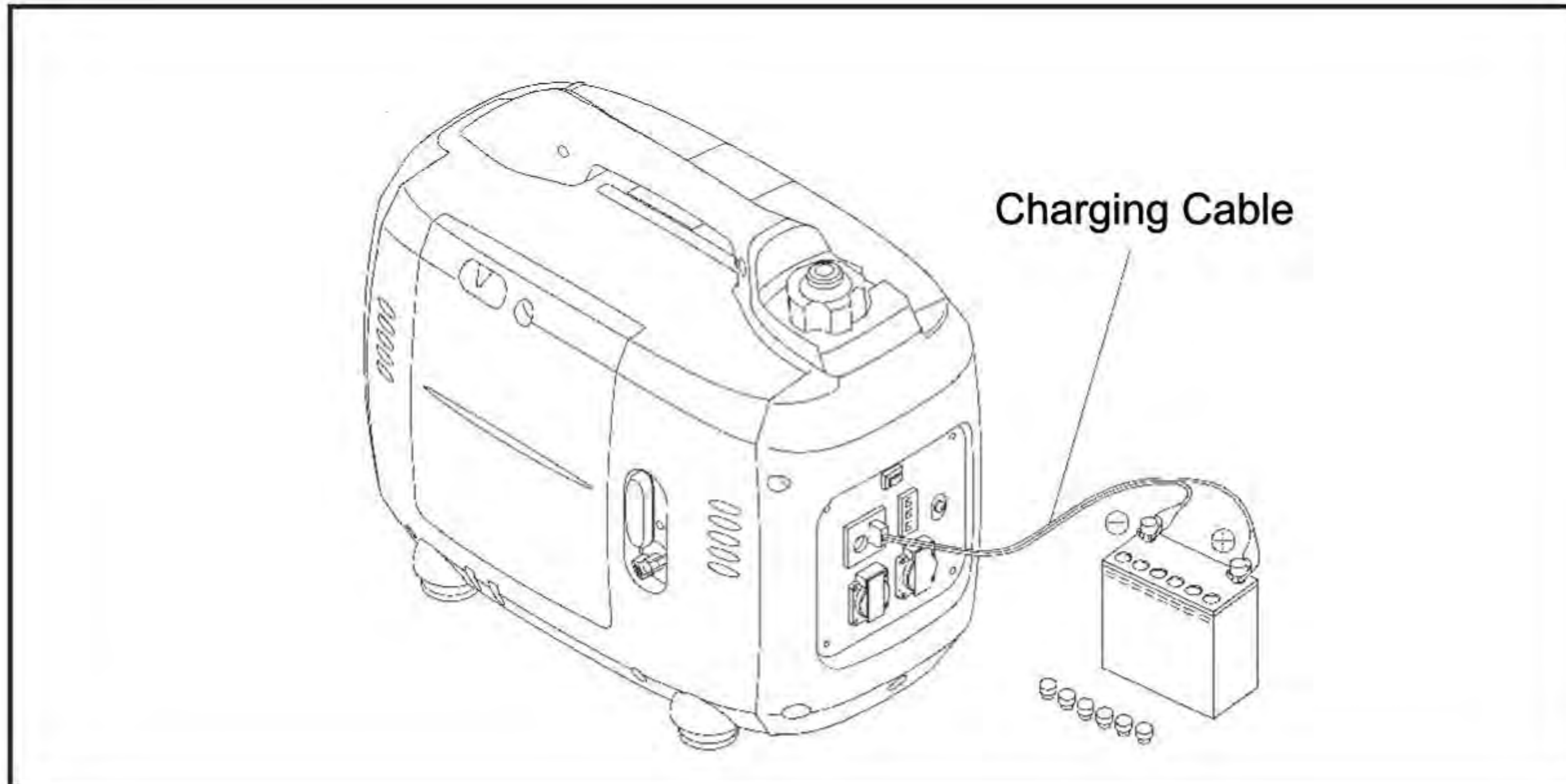
When equipment requiring a large starting power, like a motor etc., is used, the overload indicator light(red) and the output indicator light(green) may light together for a short time (about 4 sec), but this is no abnormality.

After start of the equipment, the overload indicator light (red) will go out and the output indicator light(green) will stay lit.

The DC receptacle may be used for charging 12 volt automotive-type batteries only.

In DC operation, turn the Smart throttle switch to the OFF position.

1. Connect the charging cables to the DC receptacle of the generator and then to the battery terminals.



- To prevent the possibility of creating a spark near the battery, connect charging cable first to the generator, then to the battery. Disconnect cable first at the battery.
- Before connecting charging cables to a battery that is installed in a vehicle, disconnect the vehicles grounded battery cable. Reconnect the vehicle's grounded battery cable after the charging cables are removed. This procedure will prevent the possibility of a short circuit and sparks if you make accidental contact between a battery terminal and the vehicle's frame or body.
- Do not attempt to start an automobile engine with the generator still connected to the battery. The generator may be damaged.
- Connect the positive battery terminal to the positive charging cord. Do not reverse the charging cables, or serious damage to the generator and/or battery may occur.

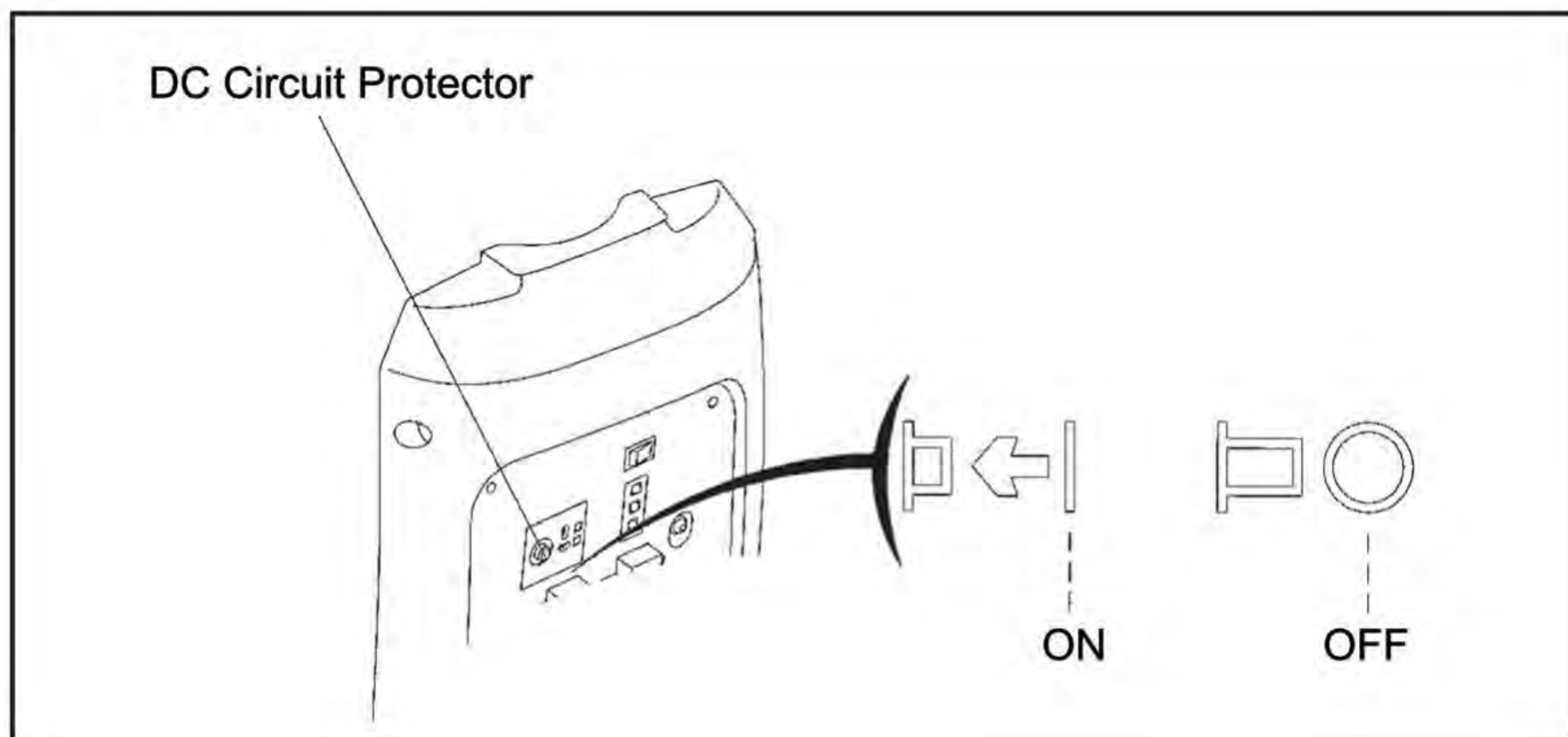
**! WARNING!**

**⚠ WARNING!**

- The battery gives off explosive gases; keep sparks, flames and cigarettes away. Provide adequate ventilation when charging.
  - The battery contains sulfuric acid (electrolyte). Contact with skin or eyes may cause severe burn. Wear protective clothing and a face shield.
  - If electrolyte gets on your skin, flush with water.
  - If electrolyte gets in your eyes, flush with water for at least 15 minutes and call a physician.
- Electrolyte is poisonous.
- If swallowed, drink large quantities of water or milk and follow with milk of magnesia or vegetable oil and call a physician.
  - KEEP OUT OF REACH OF CHILDREN.

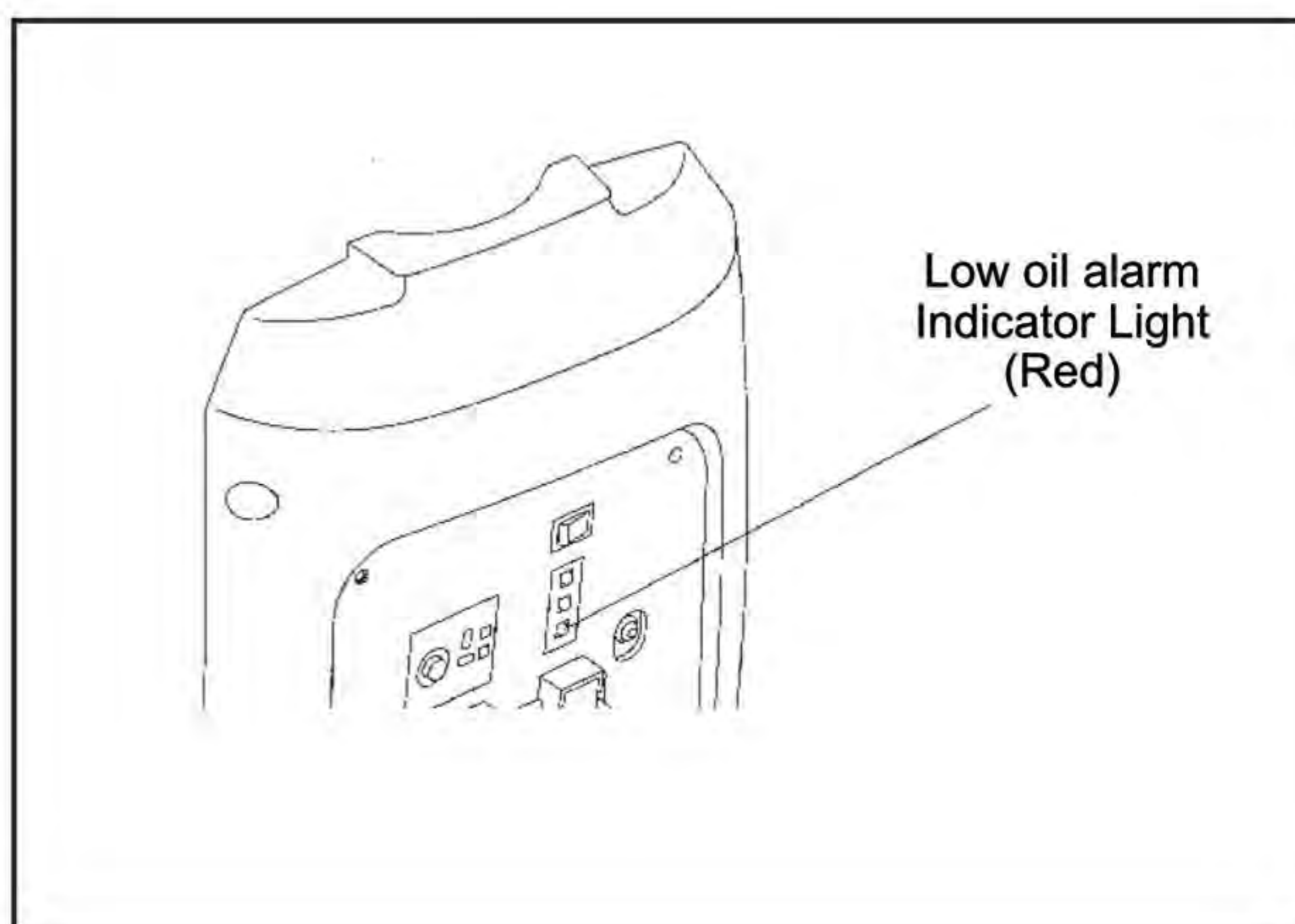
**2. Start the engine.**

- The DC receptacle may be used while the AC power is in use.
- An overload DC circuit will trip the DC circuit protector. If this happens, wait a few minutes before pushing in the circuit protector to resume operation.



### Low oil alarm system.

The Low Oil alarm system is designed to prevent engine damage caused by an insufficient amount of oil in the crankcase. Before the oil level in the crankcase falls below a safe limit, the Low oil alarm system will automatically shut down the engine (the engine switch will remain in the ON position).

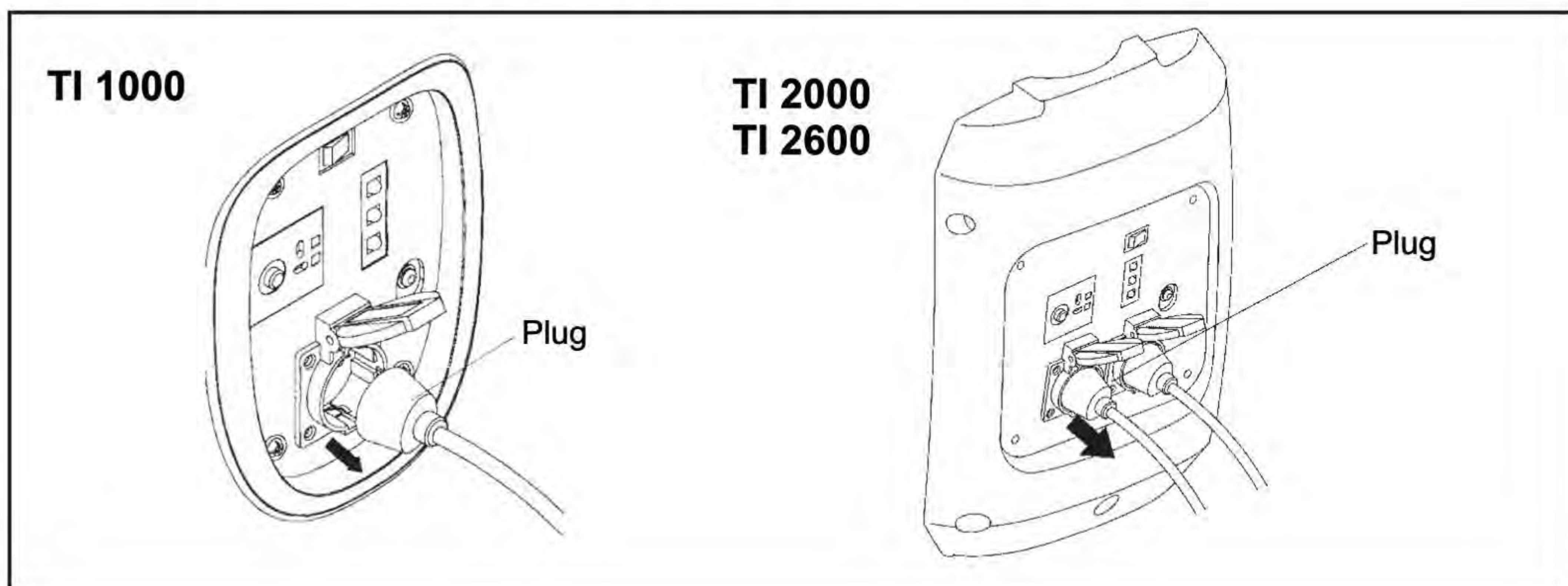


## 7. Stopping the engine

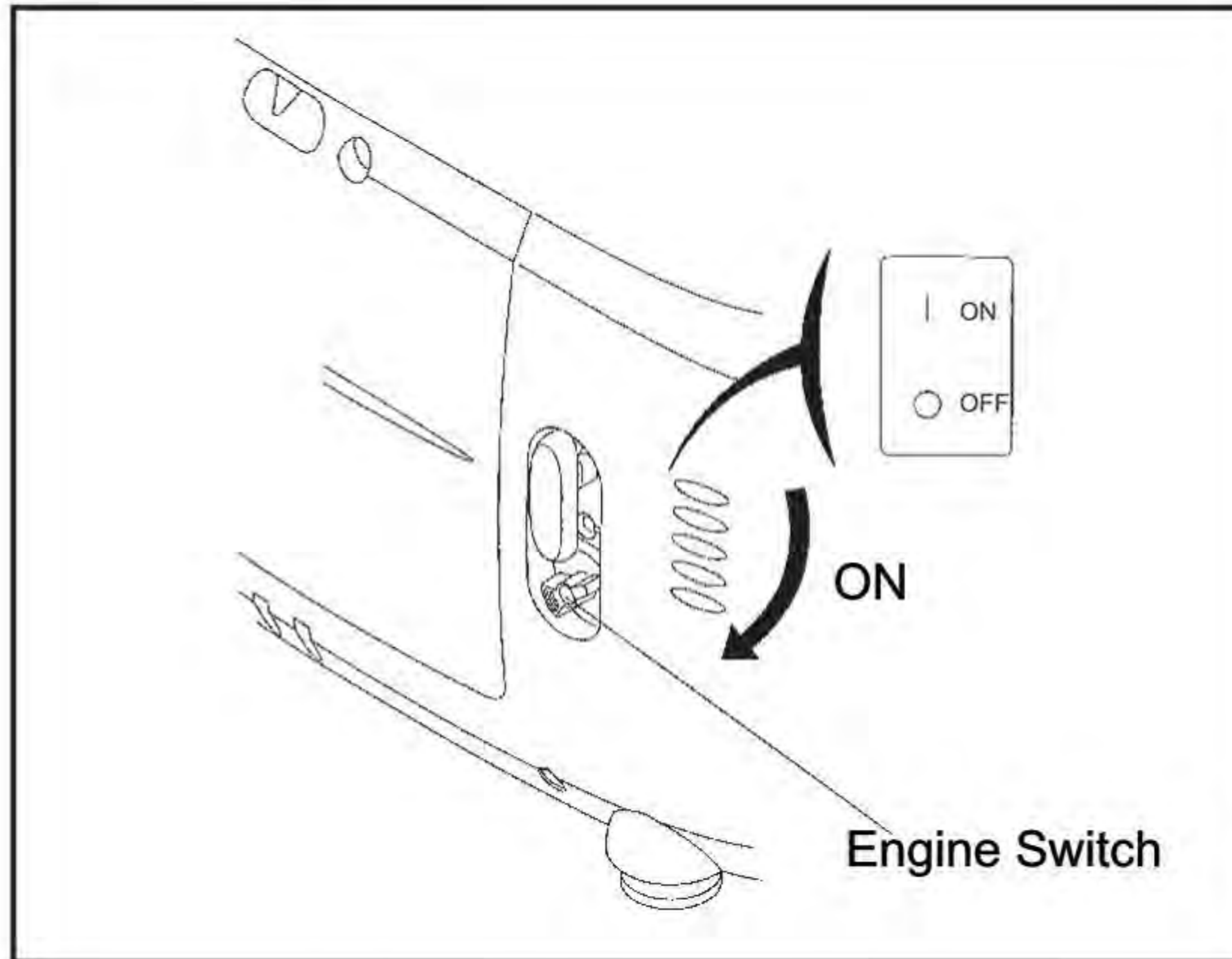
To stop the engine in an emergency, turn the engine switch to the OFF position.

IN NORMAL USE:

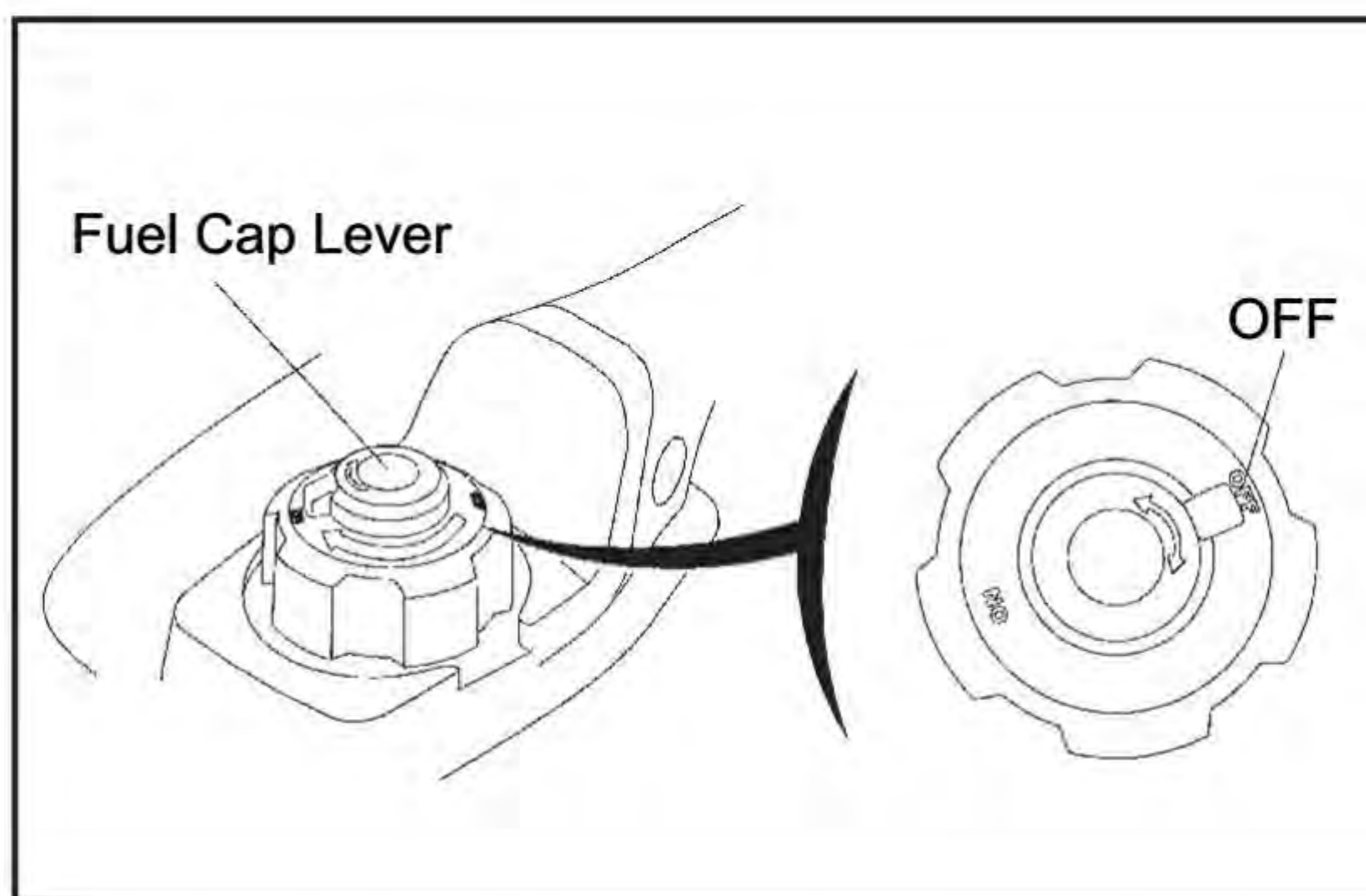
1. Switch off the connected equipment and pull the inserted plug.



2. Turn the engine switch to the OFF position.



3. Turn the cap lever fully counterclockwise to the "OFF" position.



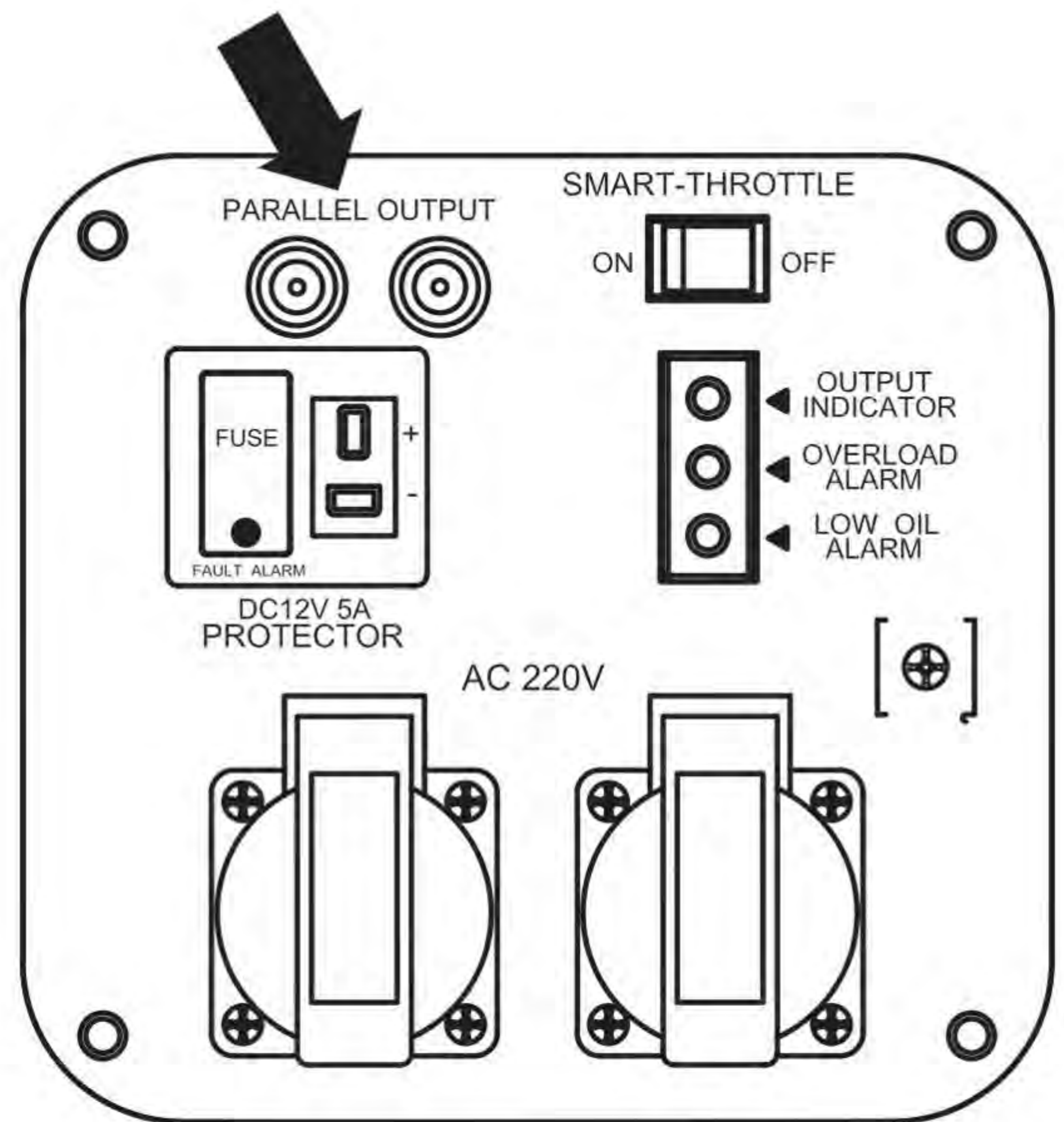
Be sure the fuel cap lever, choke and the engine switch are "OFF" when stopping, transporting and/or storing the generator.

## 8. Parallel output

Before connecting any equipment, read carefully the section "Operation".

There are two terminals to connect a special wire with a plug for parallel connected generators. For parallel connection of the generators use only special cables (are sold separately).

**NOTE:**  
**Forbidden to operate the generator continuously at maximum power more than 30 minutes.**  
**During long run, the generator power must not exceed the nominal rate.**  
**In any case it is necessary to take into account the total consumers wattage power connected to the generator.**



	TI 1000	TI 2000	TI 2600
Maximum power with parallel connection, kVA	1,6	3,2	4,165
Rated power with parallel connection, kW	1,44	2,56	3,68

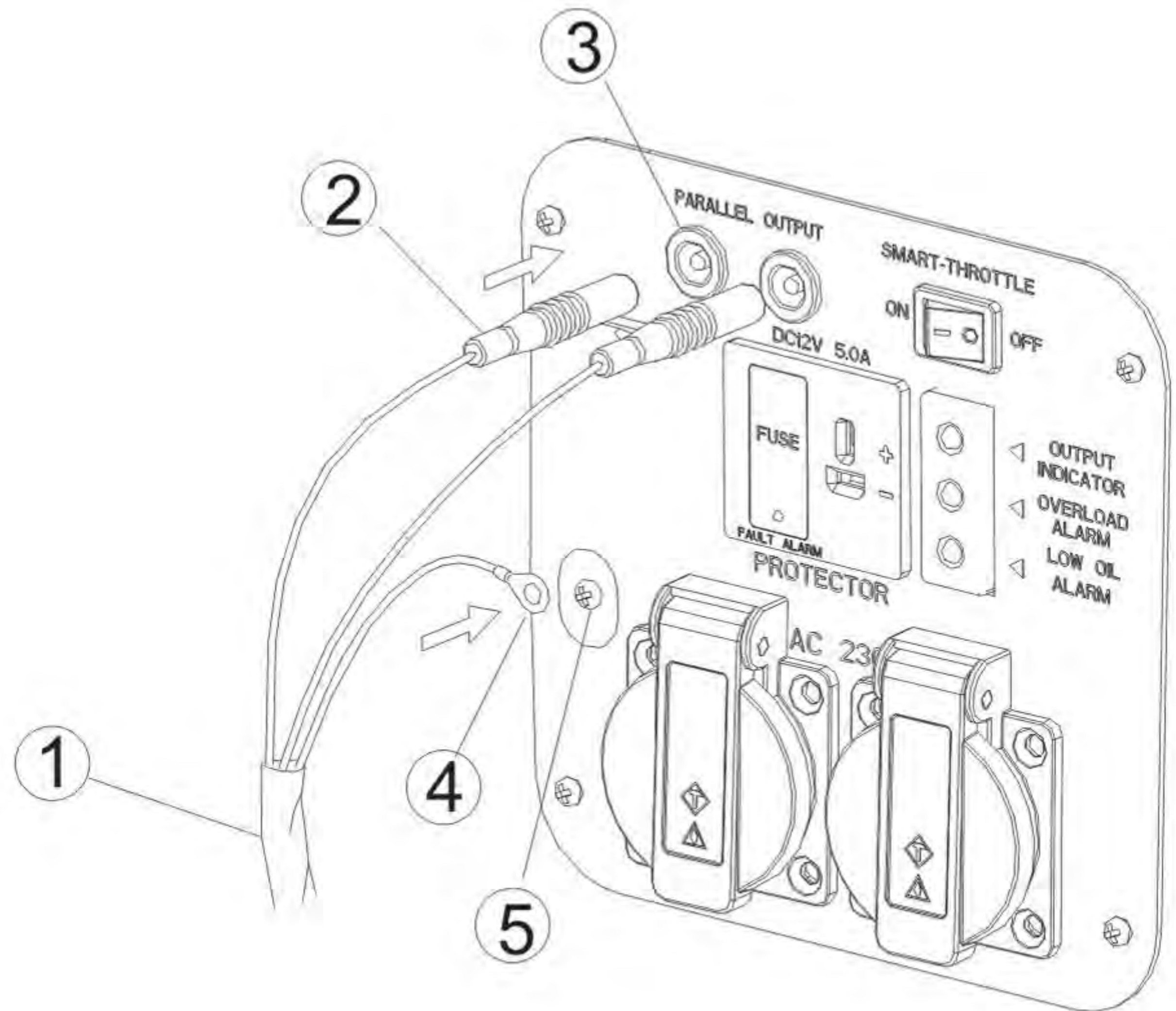
**WARNING:**

- It is not allowed to use different power station models and versions for parallel connection.
- Use only special cables for parallel connection.
- Make a special cable connecting and disconnecting with a plug for parallel operation only when the engine stopped.
- While using electric power station separately, a special cable with a socket should be disconnected.

**NOTE:**

- Some appliances can cause an overload, and as a result (red) overload indicator turns on and current feed stops.
- Electric engines during startup usually consume 2-3 times more energy than in normal mode.

1. Before start the two stations in parallel mode disconnect it from all connected electrical loads.
  2. Connect the parallel connection plugs of the device 2 into the socket 3 on the front of the station.
  3. Connect the ground clamp 4 to ground terminal 5 on the station.
  4. Always ground the generator, if connected customers are grounded.
  5. Start each motor according to the procedure specified in the "STARTING".
- If after the engine start instead of green output indicator a red overload indicator will turn on, the ignition switch should be put in position STOP (OFF) Switch off the engine and then restart the engine.



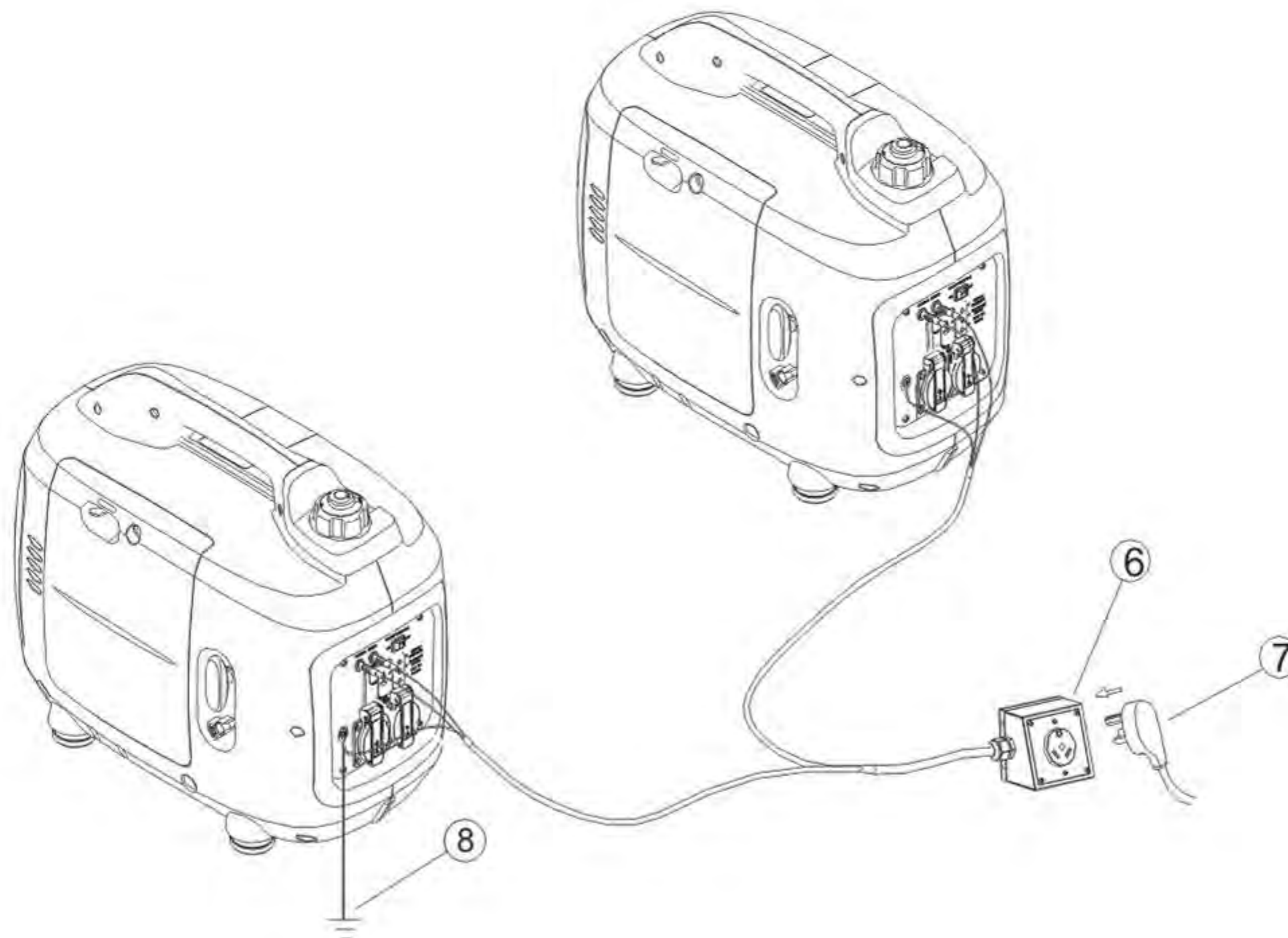
**Important:**

- Check the connection of the load cable on each power station. If any of the cables is not connected the generator could be damaged during startup.

6. Make sure that all connecting appliances are turned off, and then insert the appliance electric plug 7 into AC socket of the device for parallel connection 6.

**NOTE:**

**Make sure that connecting appliance is turned off. Switched on appliance can suddenly start to work during the connection, which can lead to injury or accident.**



#### 7. Turn on the appliance.

- On the front panel green output alarm must switch on.

If the generator is overloaded or there are problems with appliance, the output indicator (green) will go OFF and the overload indicator (red) will go ON. The engine will continue work, so to stop it, put the corresponding switch in STOP (OFF).

#### **NOTE:**

Sometimes the appliance (eg, motor) needs a large starting current. In this case, overload indicator (red) and output indicator (green) will both ON in about 4 seconds. This simultaneous operation is normal. After the appliance start overload indicator (red) will go OFF and output indicator (green) will continue ON.

#### 8. Turning off power station .

To finish work:

- Turn off appliances from the parallel socket.
- Stop engines of each power station and disconnect the power cable.

#### **WARNING**

- For parallel operation of power stations it can only be used the original Fubag company device.
- Make sure connectors for parallel operation are reliable.
- Connect electrical appliances to the socket on the device for parallel connection, it is forbidden to connect appliances to the socket on the front panel of the generator.
- Do not use parallel device and communication cable during operating two generators separately.
- Do not connect the parallel during two generators running singly.



## 9. Maintenance

The purpose of the maintenance and adjustment schedule is to keep the generator in the best operating condition.



**WARNING!**

- Shut off the engine before performing any maintenance. If the engine must be run, make sure the area is well ventilated. The exhaust contains poisonous carbon monoxide gas.
- Use genuine parts or their equivalent. The use of replacement parts which are not of equivalent quality may damage the generator.

Regular service period		Each use	First month or 10 hrs	Every 3 month or 50 hrs	Every 6 month or 100 hrs	Every year or 300 hrs
Engine oil	Check	●				
	Change		●		●	
Air cleaner	Check	●				
	Clean			● (2)		
Spark plug	Clean-adjust				●	
Spark arrester	Clean				●	
Fuel sediment cup	Check				●	
Valve clearance	Check-adjust					● (3)
Fuel tank and strainer	Clean					● (3)
Fuel line	Check	Every 2 years (Replace if necessary)(3)				

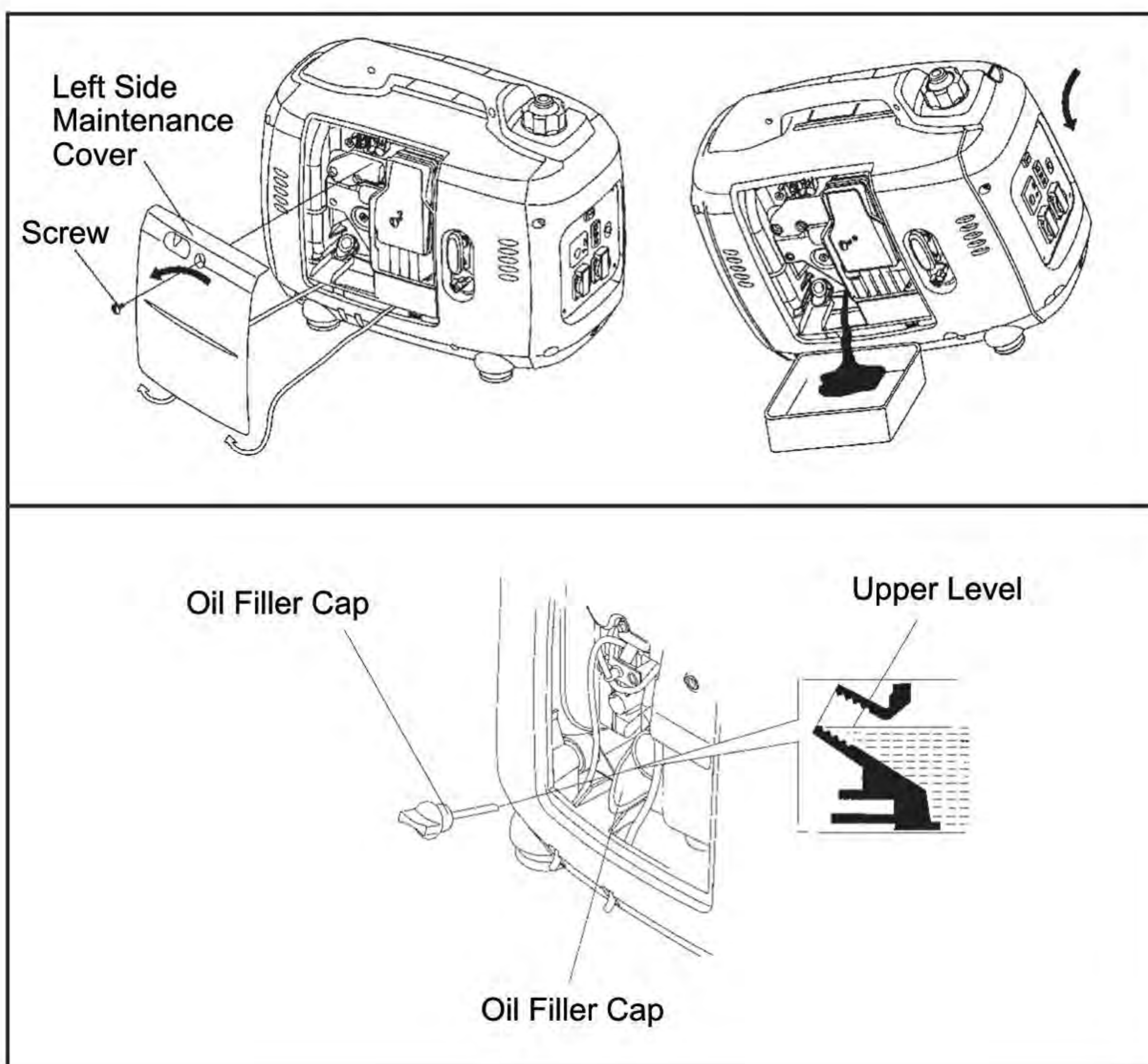
1. Log hours of operation to determine proper maintenance.
2. Service more frequently when used in dusty areas.
3. These items should be serviced by an authorized dealer, unless the owner has the proper tools and is mechanically proficient.

## 1. Changing oil.



- Drain the oil while the engine is still warm to assure rapid and complete draining.
- Make sure to turn the engine switch and the fuel cap lever OFF before draining.

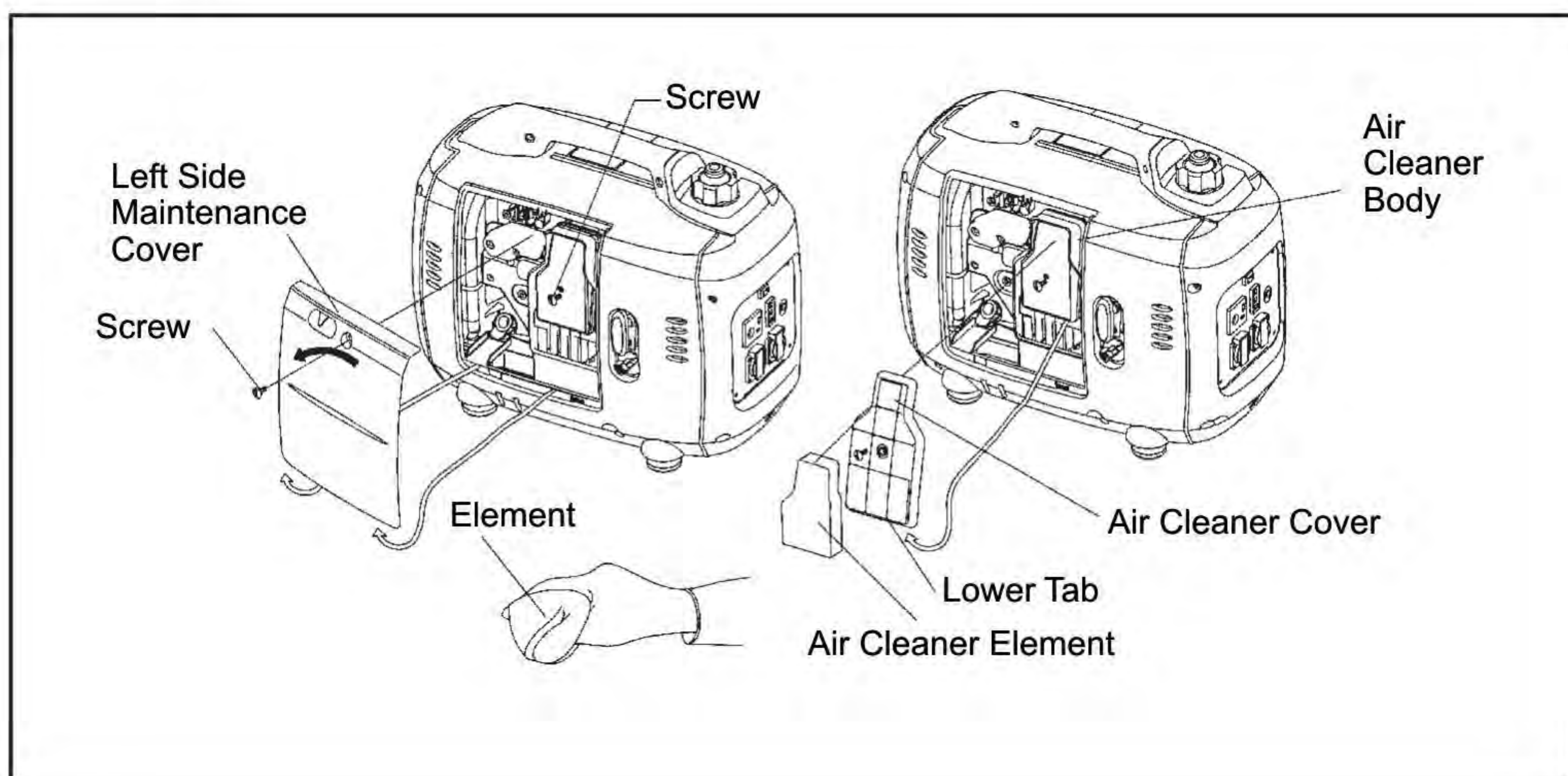
1. Loosen the cover screw and remove the left side maintenance cover.
2. Remove the oil filler cap.
3. Drain dirty oil into a container thoroughly.
4. Refill with the recommended oil, and check the oil level.
5. Reinstall the left side maintenance cover and tighten the cover screw securely.



## 2. Air cleaner service.

**⚠ WARNING!** - Do not use gasoline or low flash point solvents for cleaning. They are flammable and explosive under certain conditions.

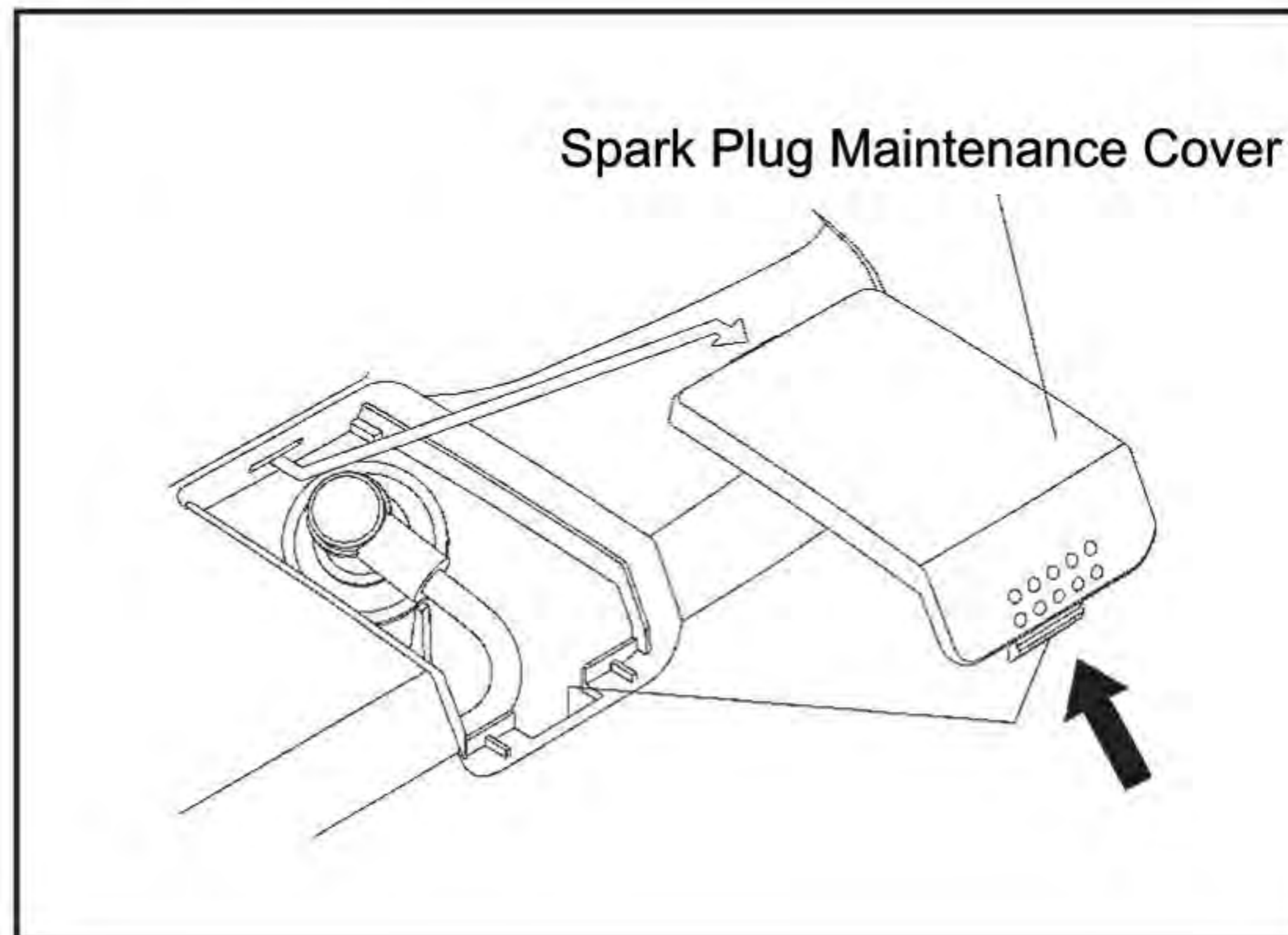
1. Loosen the cover screw and remove the left side maintenance cover.
2. Loosen the screw of the air cleaner, and remove the air cleaner cover.
3. Wash the element in a non-flammable or high flash point solvent and dry it thoroughly.
4. Soak the element in clean engine oil and squeeze out the excess oil.
5. Reinstall the air cleaner element and the cover.
6. Tighten the cover screw securely. Reinstall the left side maintenance cover and tighten the cover screw securely.



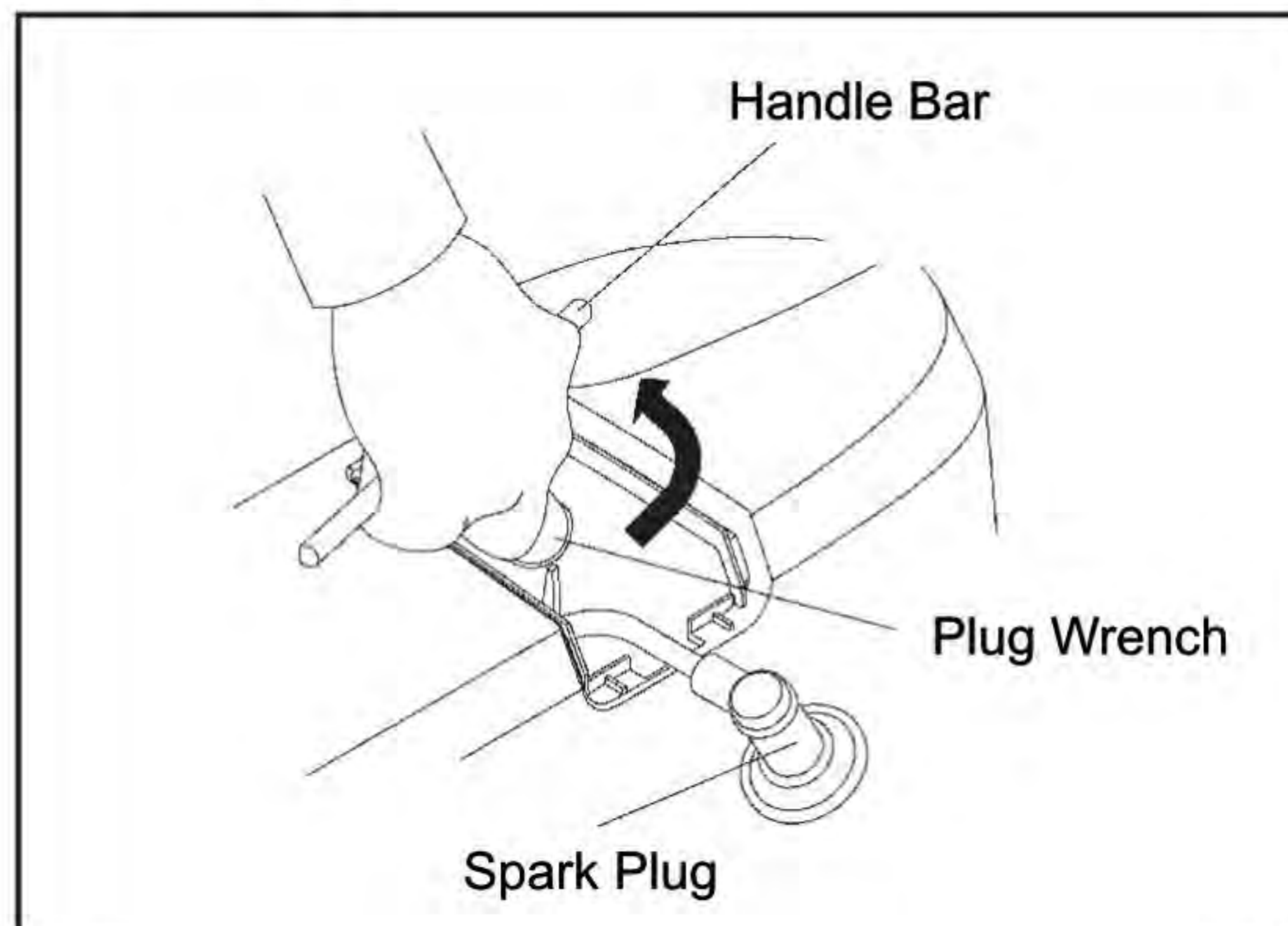
### 3. Spark plug service.

To ensure proper engine operation, the spark plug must be properly gapped and free of deposits.

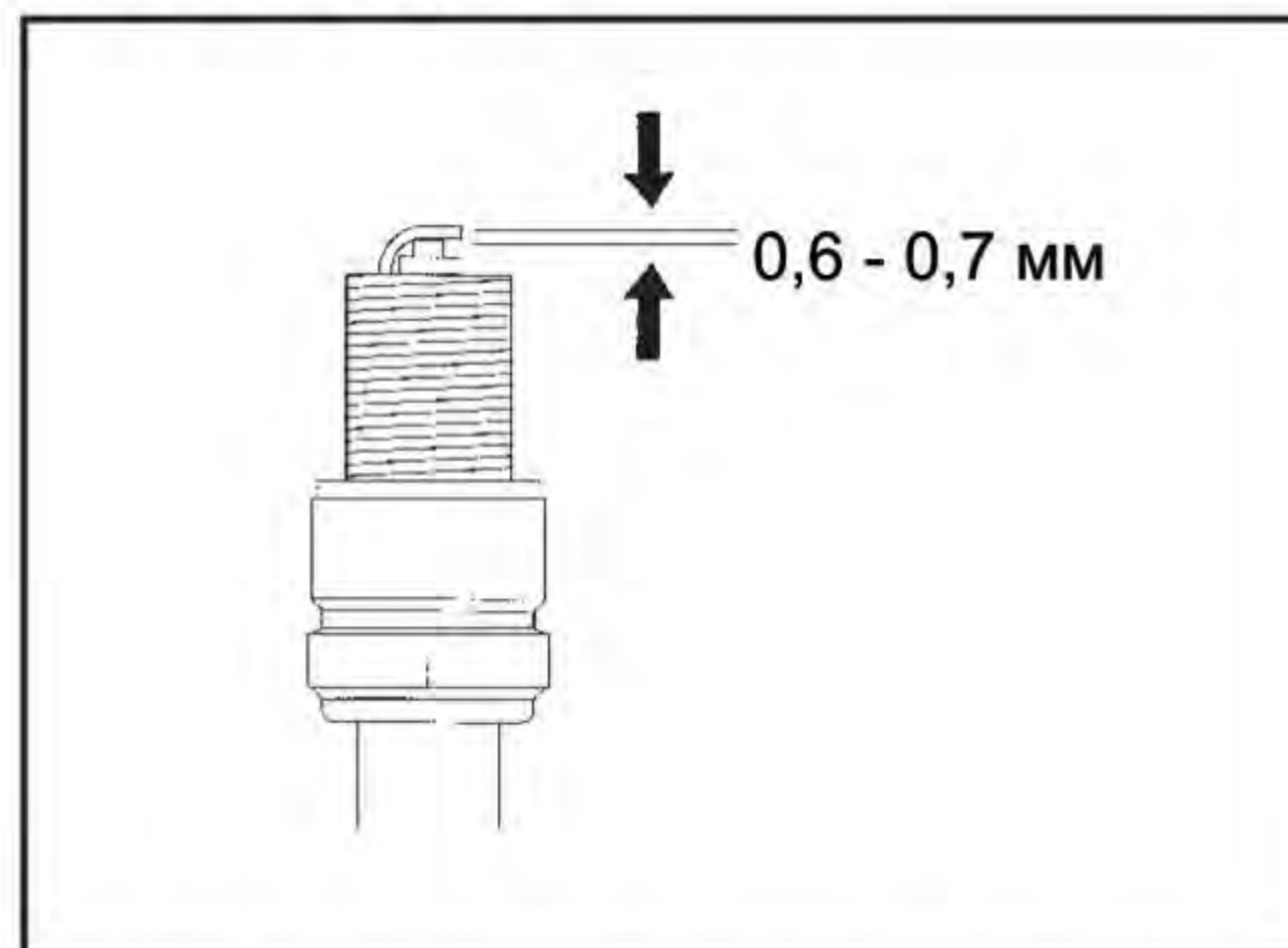
1. Remove the spark plug maintenance cover.



2. Remove the spark plug cap.
3. Clean any dirt from around the spark plug base.
4. Use the wrench to remove the spark plug.



5. Visually inspect the spark plug. Discard it if the insulator is cracked or chipped. Clean the spark plug with a wire brush if it is to be reused.
6. Measure the plug gap with a feeler gauge. The gap should be 0,6-0,7 mm. Correct as necessary by carefully bending the side electrode.
7. Install the spark plug carefully, by hand, to avoid cross-threading.
8. After a new spark plug has been seated by hand, it should be tightened 1/2 turn with a wrench to compress its washer. If a used plug is being reinstalled, it should only require 1/8 to 1/4 turn after being seated.
9. Reinstall the spark plug cap on the spark plug securely.
10. Reinstall the spark plug maintenance cover.



**⚠ CAUTION!**

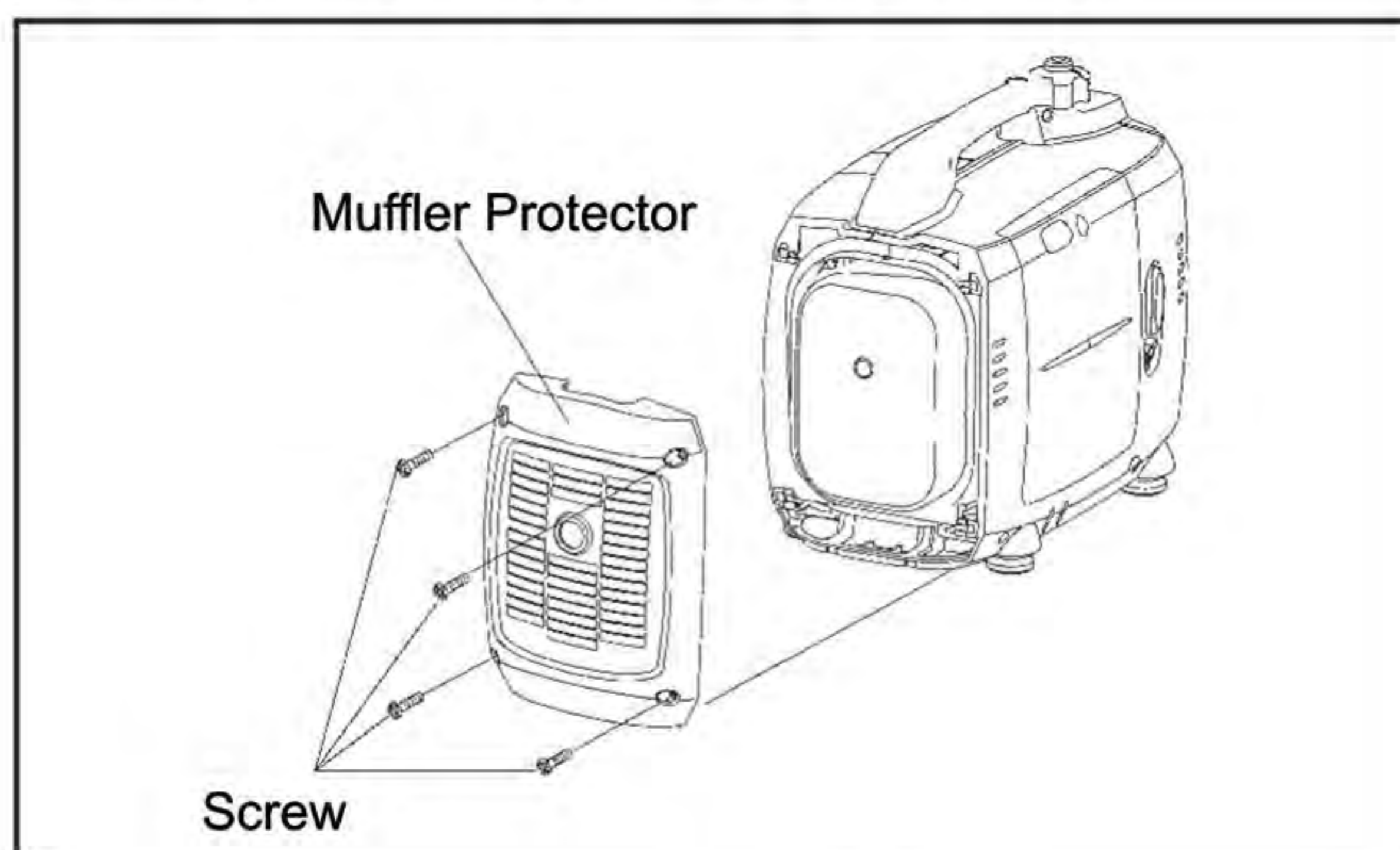
- The spark plug must be securely tightened. An improperly tightened plug can become very hot and possibly damage the generator.
- Never use a spark plug with an improper heat range.
- Never use a spark plug without damping resistance, or it will cause no AC output.

#### 4. Spark arrester maintenance.

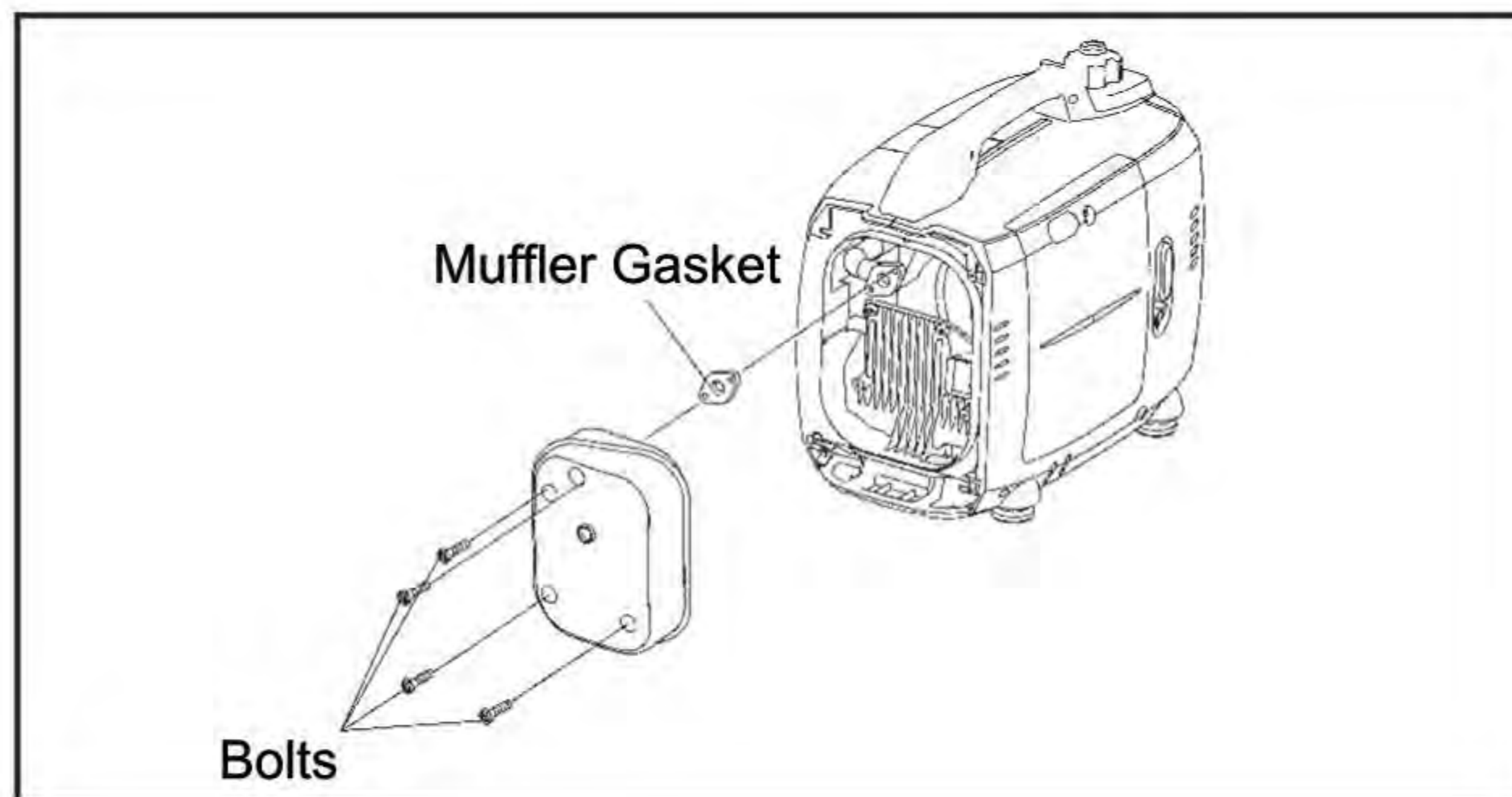
**⚠ WARNING!**

- If the generator has been running, the muffler will be very hot. Allow it to cool before proceeding.

1. Remove the four screws, and remove the muffler protector.



2. Remove the four bolts, and remove the muffler, and the muffler gasket.



3. Check the muffler gasket replace if damaged. Reinstall the muffler gasket, the muffler and the muffler protector in the reverse order of removal.

## 10. Transporting & storage

To prevent fuel spillage when transporting or during temporary storage, the generator should be secured upright in its normal operating position, with the engine switch OFF. Turn the cap lever fully counterclockwise to the "OFF" position.

When transporting the generator:



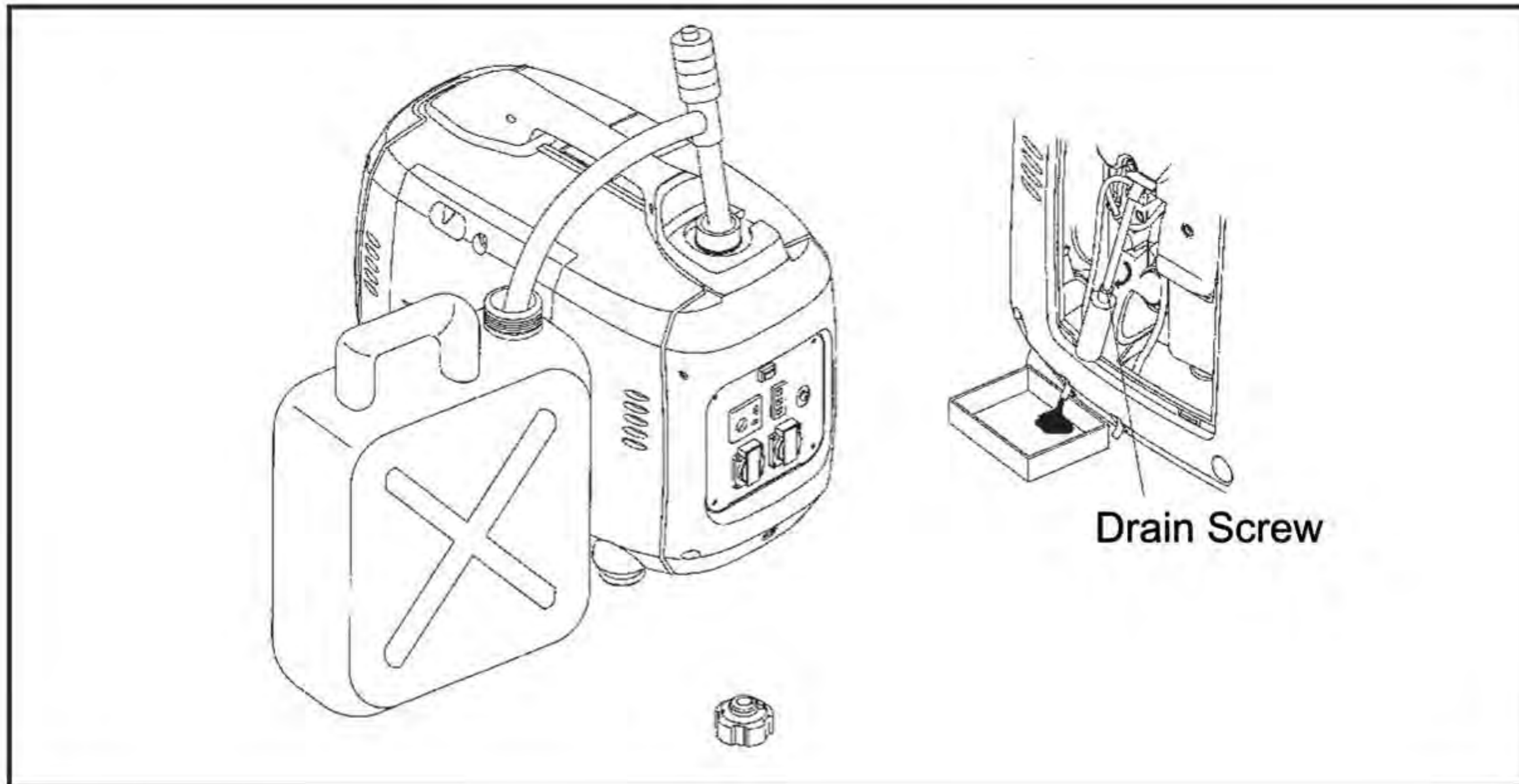
- Do not overfill the tank.
- Do not operate the generator while it is on a vehicle.
- Do not drive on a rough road for an extended period with the generator on board, if you must transport the generator on a rough road, drain the fuel from the generator beforehand.

Before storing the unit for an extended period:

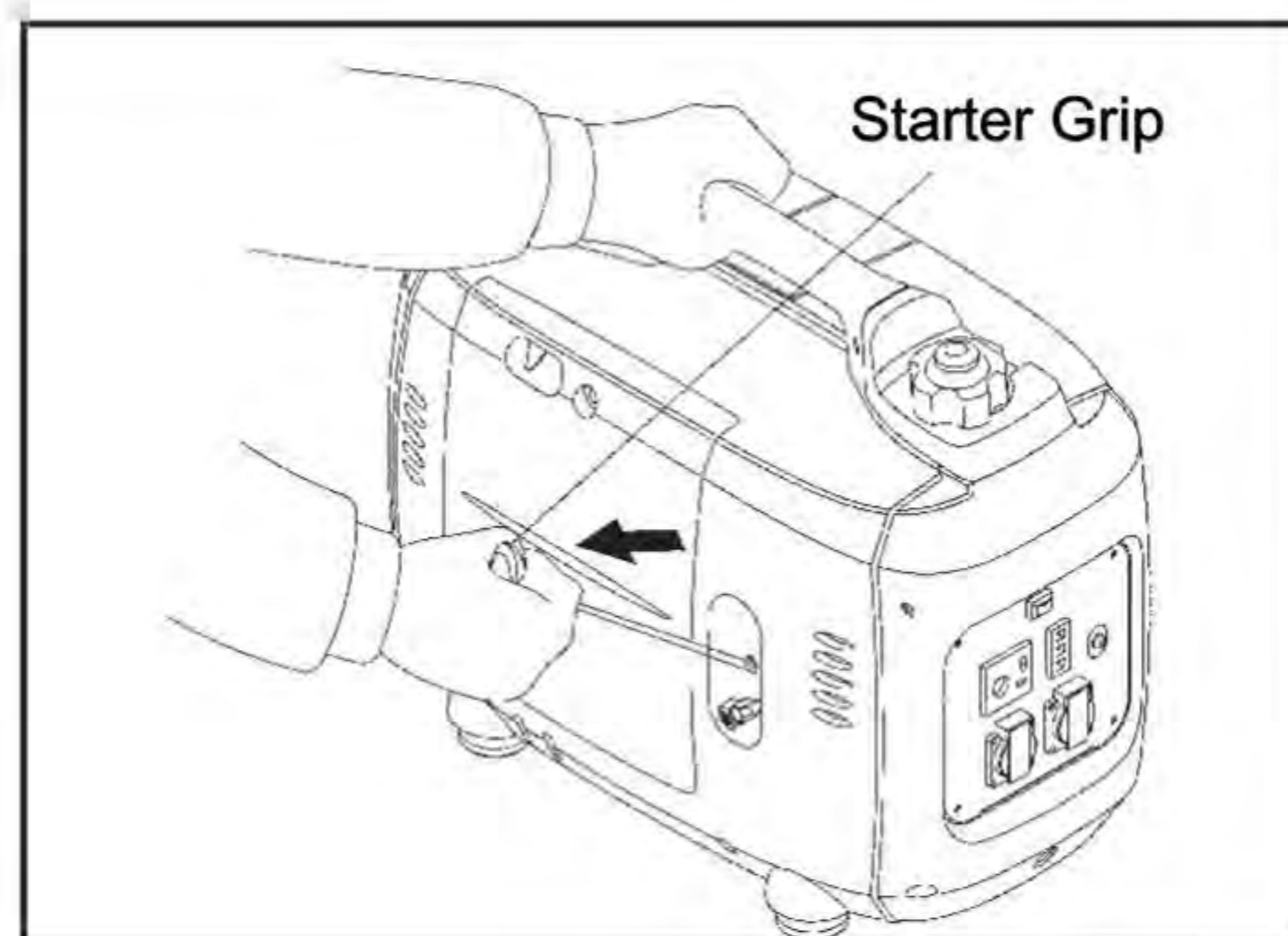


- Be sure the storage area is free of excessive humidity and dust. Drain out the fuel completely.

1. Drain all gasoline from the fuel tank into an approved gasoline container.
2. Turn the engine switch ON, and loosen the carburetor drain screw and drain the gasoline from the carburetor into a suitable container.
3. With the drain screw loosened remove the spark plug cap, and pull the starter grip 3 to 4 times to drain the gasoline from the fuel pump.
4. Turn the engine switch to the OFF position, and tighten the drain screw securely.

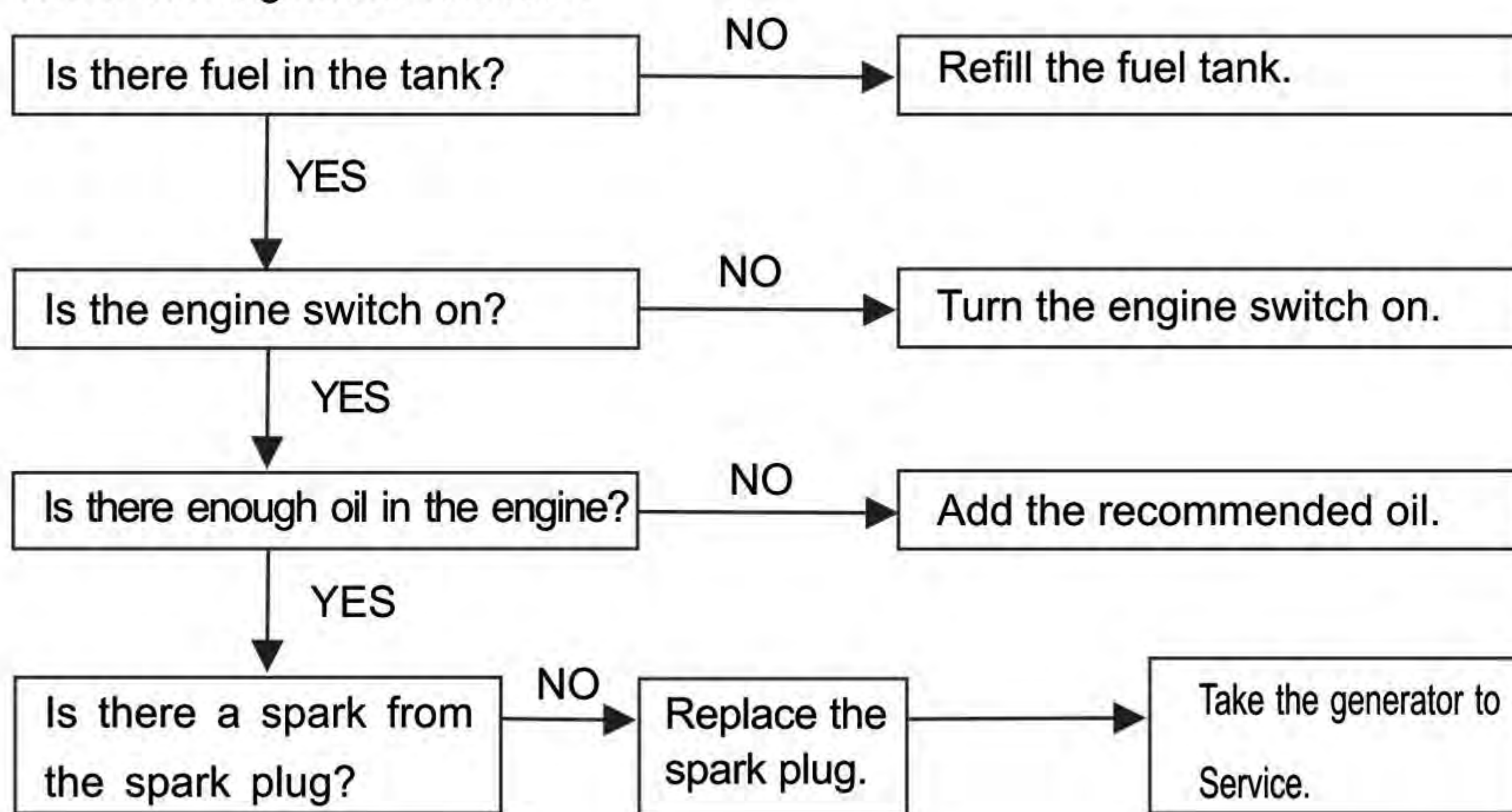


5. Change the engine oil.
6. Remove the spark plug and pour about a tablespoon of clean engine oil into the cylinder. Crank the engine several revolutions to distribute the oil, then reinstall the spark plug.
7. Slowly pull the starter grip until resistance is felt. At this point, the piston is coming up on its compression stroke and both the intake and exhaust valves are closed. Storing the engine in this position will help to protect it from internal corrosion.



## 11. Troubleshooting

When the engine will not start:



### WARNING

Be sure there is no spilled fuel around the spark plug. Spilled fuel may ignite.

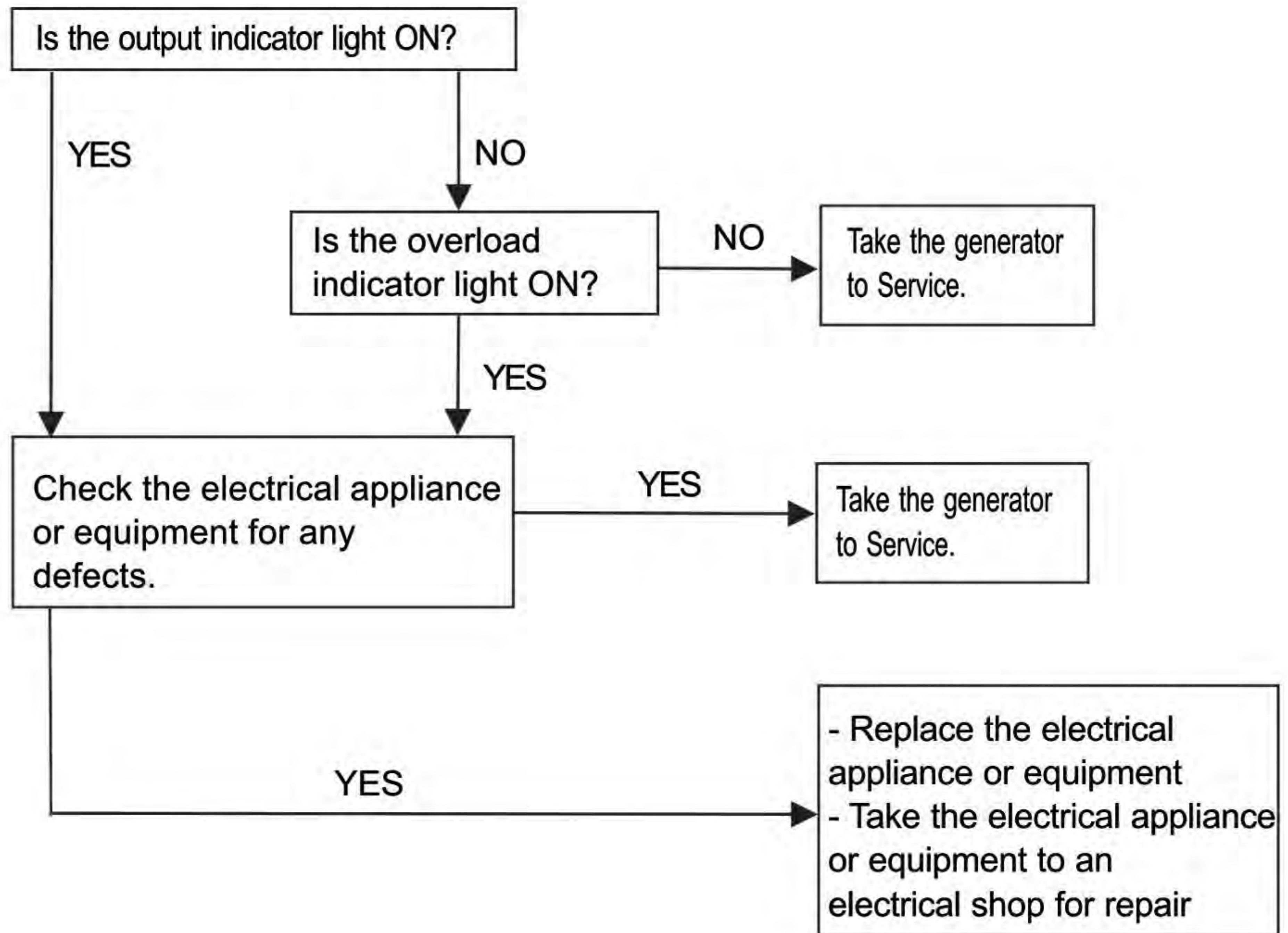
If the engine still does not start, take the generator to Service.

### To check:

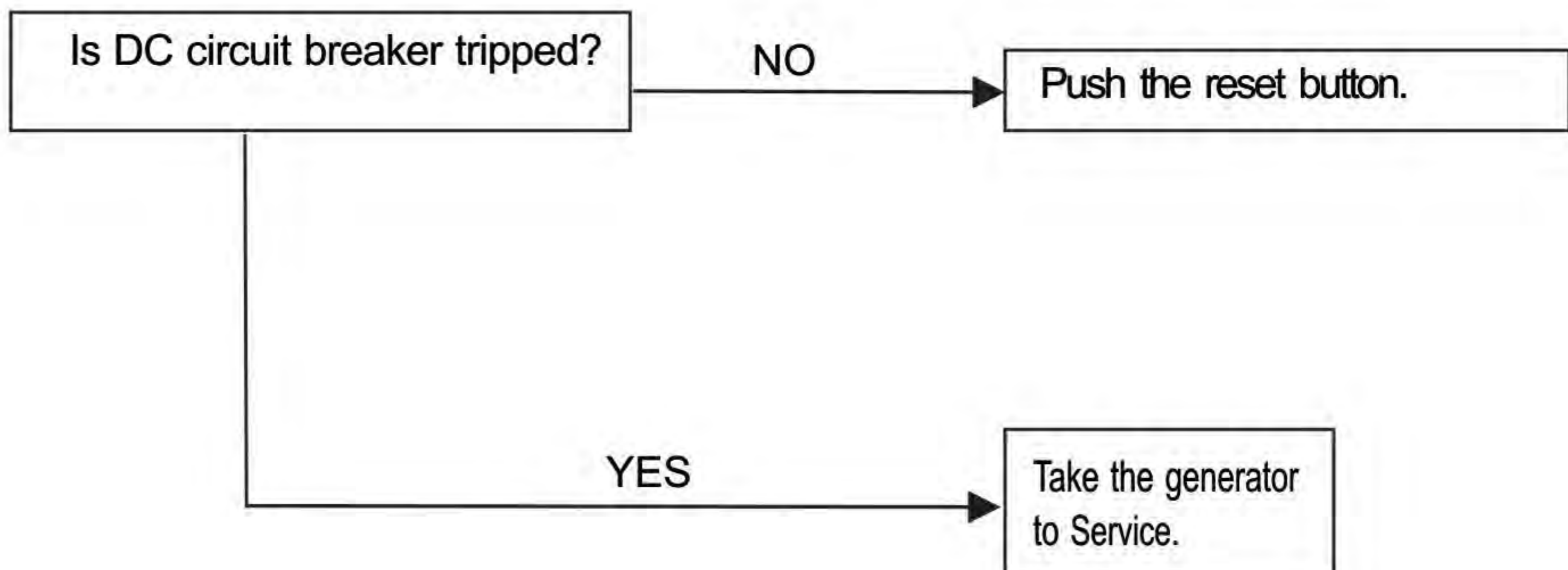
1. Remove the spark plug cap and clean any dirt from around the spark plug.
2. Remove the spark plug and install the spark plug in the plug cap.
3. Set the plug side electrode on the cylinder head to ground.
4. Pull the recoil starter, sparks should jump across the gap.



**Appliance does not operate:**



**No electricity at the DC receptacle:**



## 12. Modified coefficient table of ambient condition power

The conditions of generator rated output:

Altitude: 0m

Ambient temperature: 25°C

Relative humidity: 30%

Ambient modified coefficient: C (Relative humidity 30%)

Altitude (m)	Ambient temperature (°C)				
	25	30	35	40	45
0	1	0.98	0.96	0.93	0.90
500	0.93	0.91	0.89	0.87	0.84
1000	0.87	0.85	0.82	0.80	0.78
2000	0.75	0.73	0.71	0.69	0.66
3000	0.64	0.62	0.6	0.58	0.56
4000	0.54	0.52	0.5	0.48	0.46

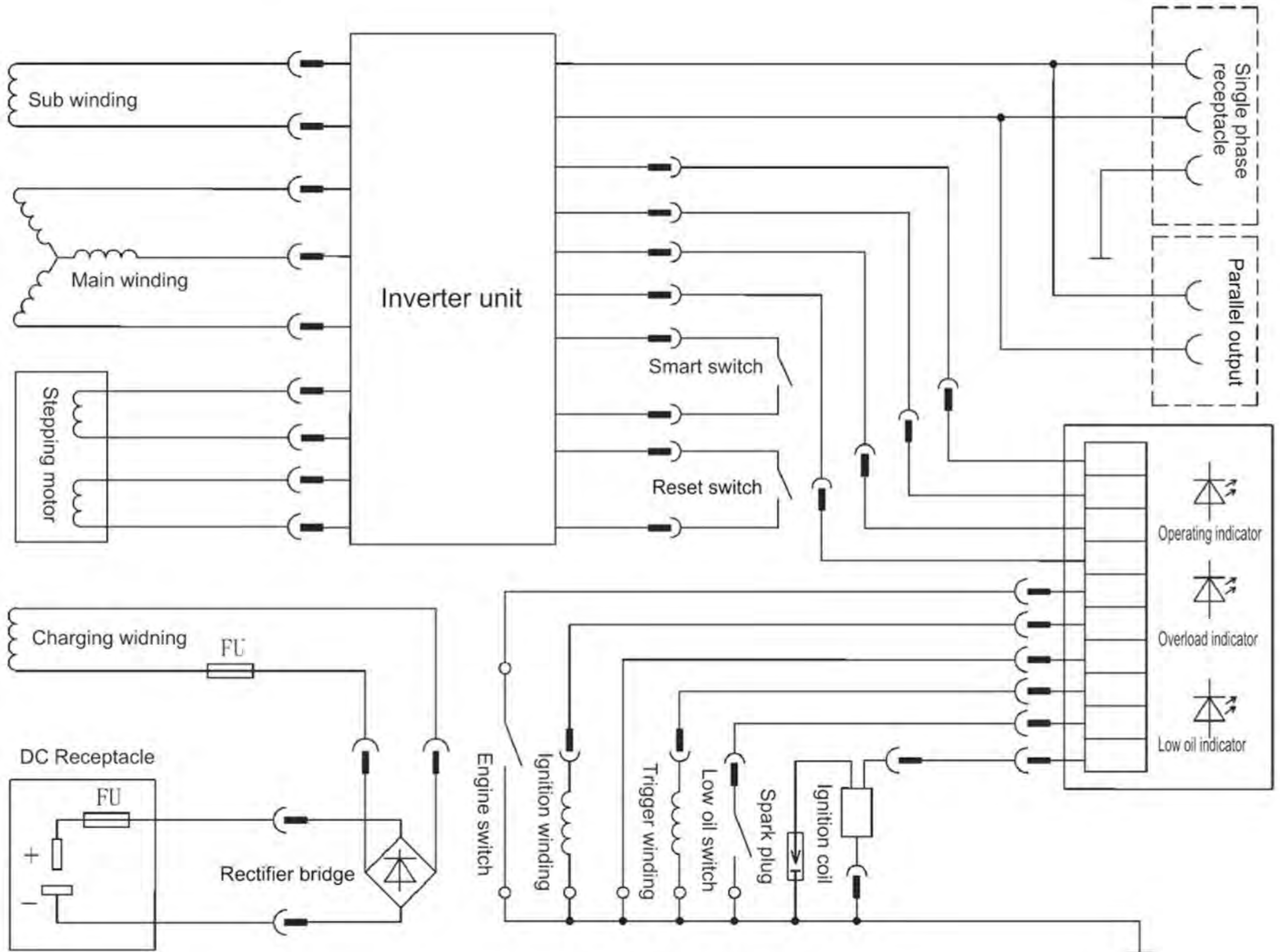
Note:

- When the relative humidity is 60%, the modified coefficient is C-0.01
- When the relative humidity is 80%, the modified coefficient is C-0.02
- When the relative humidity is 90%, the modified coefficient is C-0.03
- When the relative humidity is 100%, the modified coefficient is C-0.04

Counting example:

When the rated power of generator is  $P_N = 5\text{KW}$ , altitude is 1000m, ambient temperature is 35°C, relative humidity is 80%, the rated power of generator is:  
 $P = P_N \times (C - 0.02) = 5 \times (0.82 - 0.02) = 4\text{KW}$

### 13. Electric diagram



### 14. Warranty

Warranty refer to defects of materials and components and do not refer to components subject to natural wear and maintenance work.

Only machines cleaned from dust and dirt in original factory packing fully completed, provided with instruction manual, warranty card with fixed sales date with a shop stamp factory serial number and originals of sales and ware receipt issued by salesman are subjects of warranty. Within the warranty period the service center eliminate free of charge all detected production defects. The manufacturer disclaims warranty and legal responsibilities if nonobservance of the instruction manual by user, unqualified disassembling repair or maintenance of the machine as well does not bear responsibility for caused injury to persons or damages.

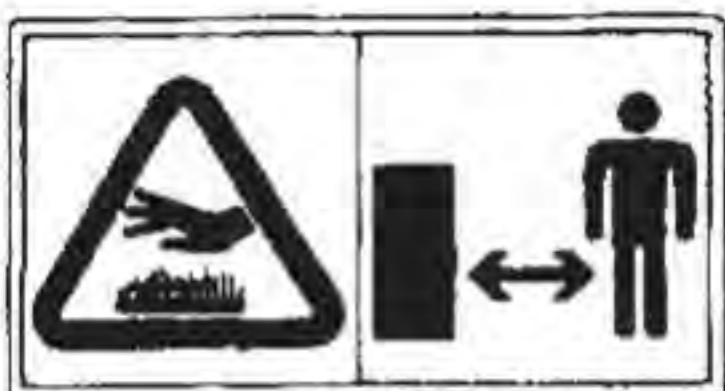
**ВНИМАНИЕ! ПЕРЕД ИСПОЛЬЗОВАНИЕМ ВНИМАТЕЛЬНО ОЗНАКОМЬТЕСЬ С ДАННОЙ ИНСТРУКЦИЕЙ.**

Прежде чем приступить к эксплуатации портативной инверторной электростанции, необходимо внимательно изучить данную инструкцию.

В этой инструкции содержится описание, правила безопасности и вся необходимая информация для правильной эксплуатации электростанции FUBAG. Сохраняйте данную инструкцию и обращайтесь к ней при возникновении вопросов по безопасной эксплуатации, обслуживанию, хранению и транспортировке электростанции FUBAG. Соблюдение требований данной инструкции позволит правильно эксплуатировать электростанцию FUBAG и продлит срок ее службы.

**! ВНИМАНИЕ!****1. Правила безопасности****! ВНИМАНИЕ!**

Выхлопы содержат вредный угарный газ. Никогда не эксплуатируйте электростанцию в закрытом помещении. Перед включением убедитесь, что обеспечена хорошая вентиляция. При установке в хорошо проветриваемых зонах обращайте внимание на обеспечение безопасности.

**! ВНИМАНИЕ!**

При работе электростанции глушитель становится очень горячим и остывает некоторое время после ее выключения. Будьте внимательны и не дотрагивайтесь до глушителя, пока он горячий. Дайте двигателю остыть до того, как поставить его на хранение в помещение.

Выхлопная система двигателя будет нагреваться при работе и останется горячей некоторое время после выключения двигателя. Для предотвращения ожогов обращайте внимание на предупредительные наклейки на электростанции.

**! ВНИМАНИЕ!**

Бензин является легко воспламеняемым и взрывчатым. Осуществляйте заправку электростанции топливом только в хорошо проветриваемых зонах при выключенном двигателе. Поблизости не должно быть курящих, источника искр и дыма. Всегда заправляйте электростанцию в хорошо проветриваемом месте. Пролитый бензин необходимо сразу удалить.

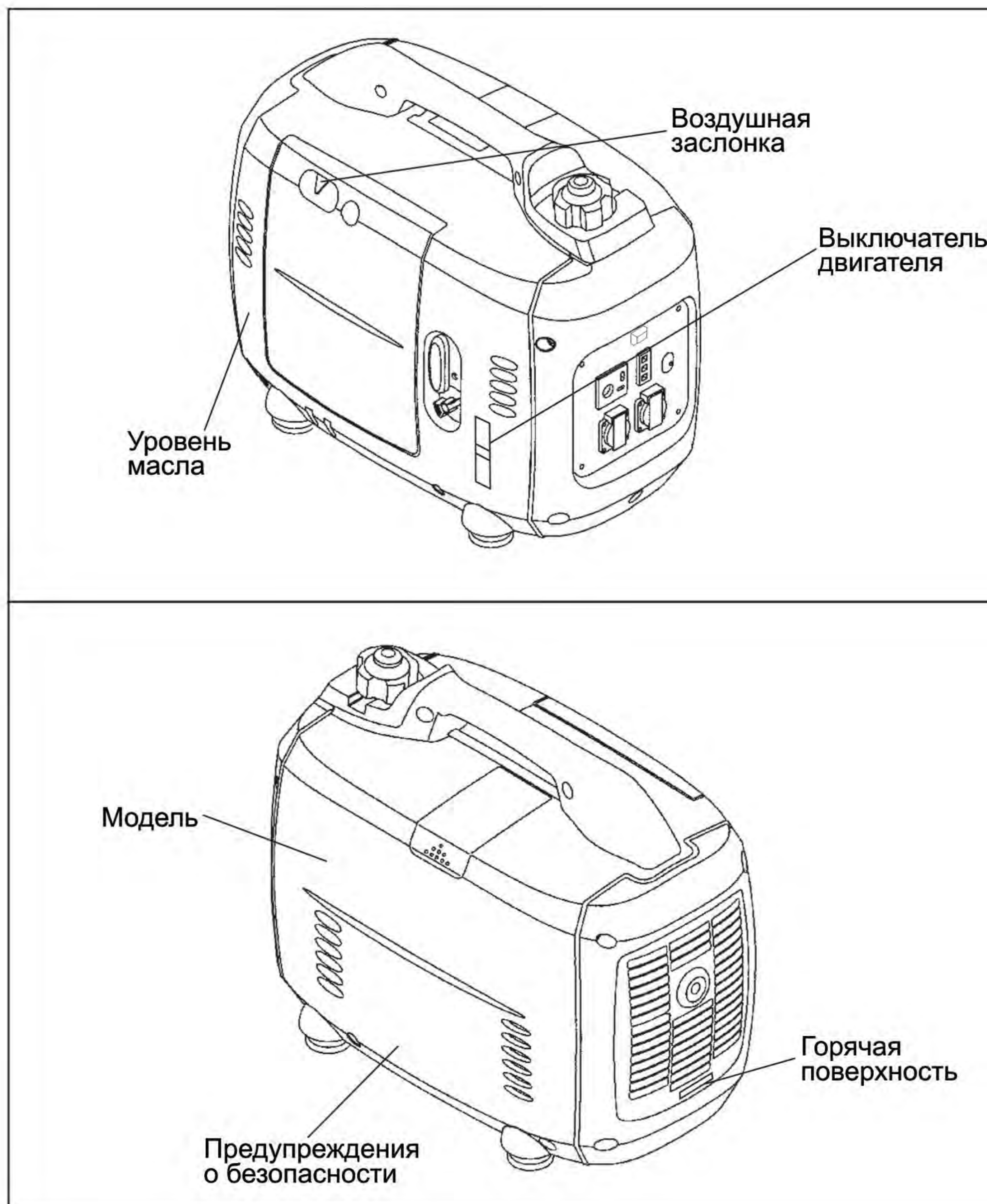
**! ВНИМАНИЕ!**

Подсоединение электростанции к электросистеме здания должно осуществляться только квалифицированным электриком и должно соответствовать всем электротехническим правилам и нормам. Неправильное подсоединение к системе может стать причиной выхода из строя электрогенератора, неисправности электросети и подключенных к ней электроприборов, а также привести к поражению электричеством людей.

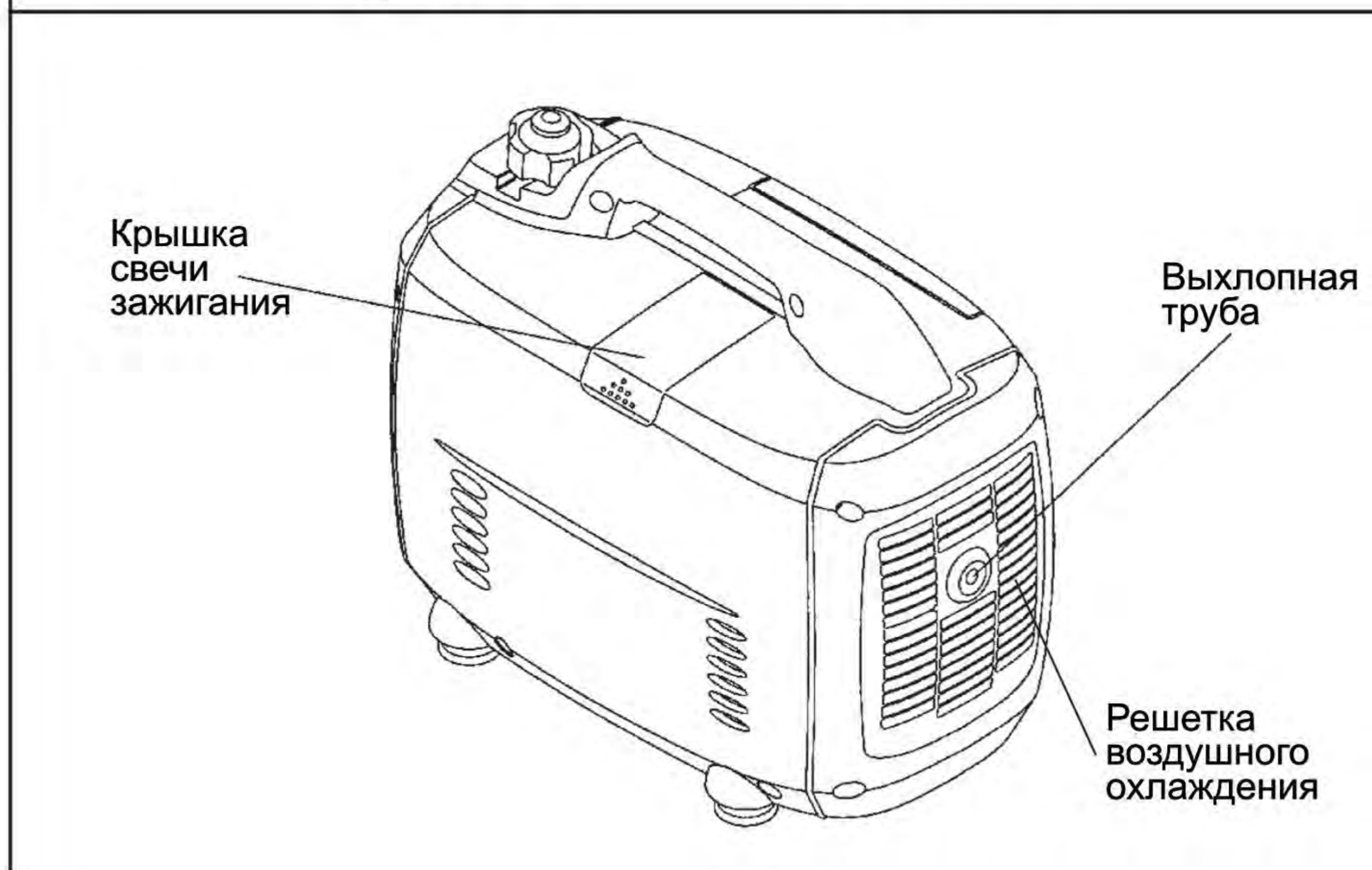
**! ВНИМАНИЕ!**

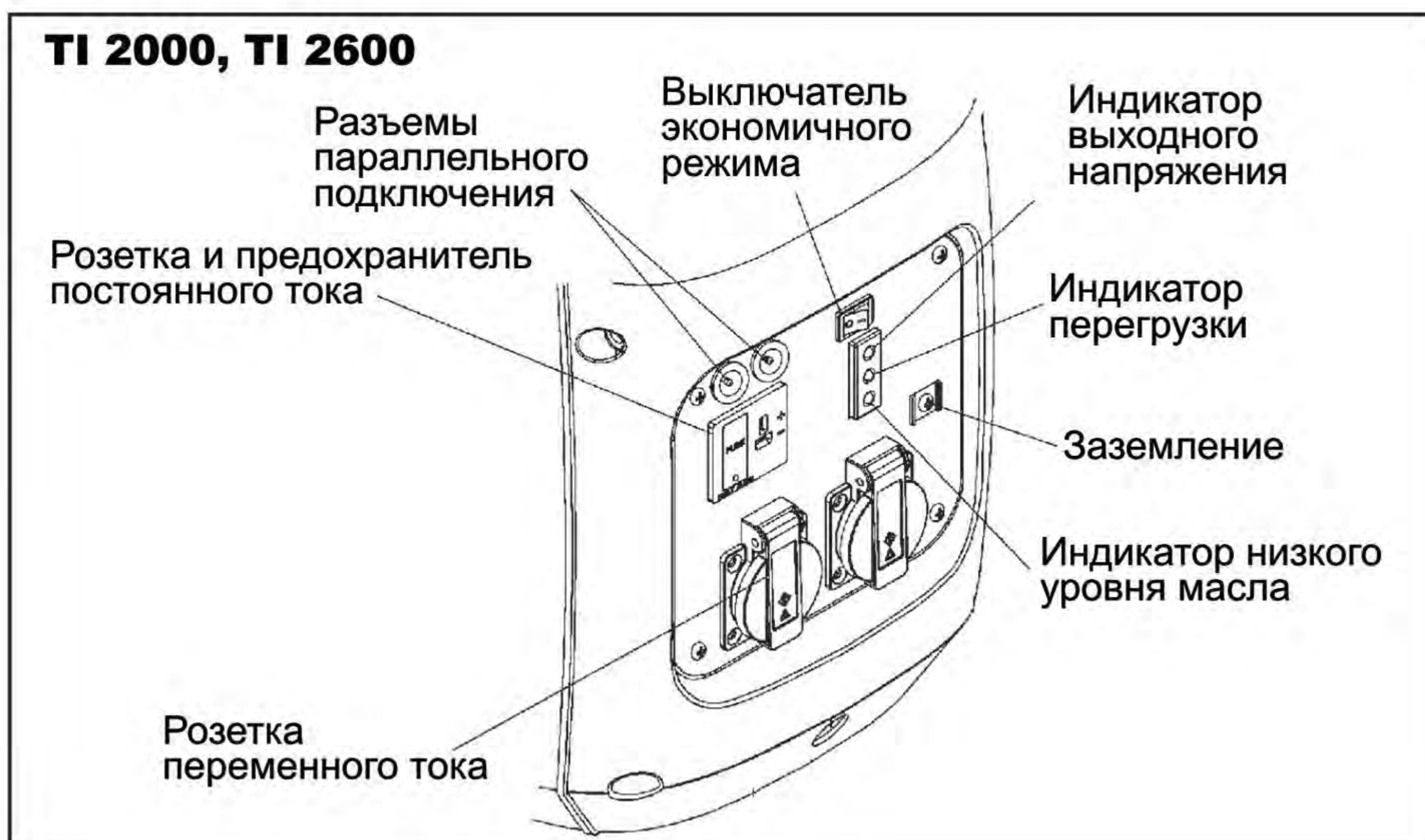
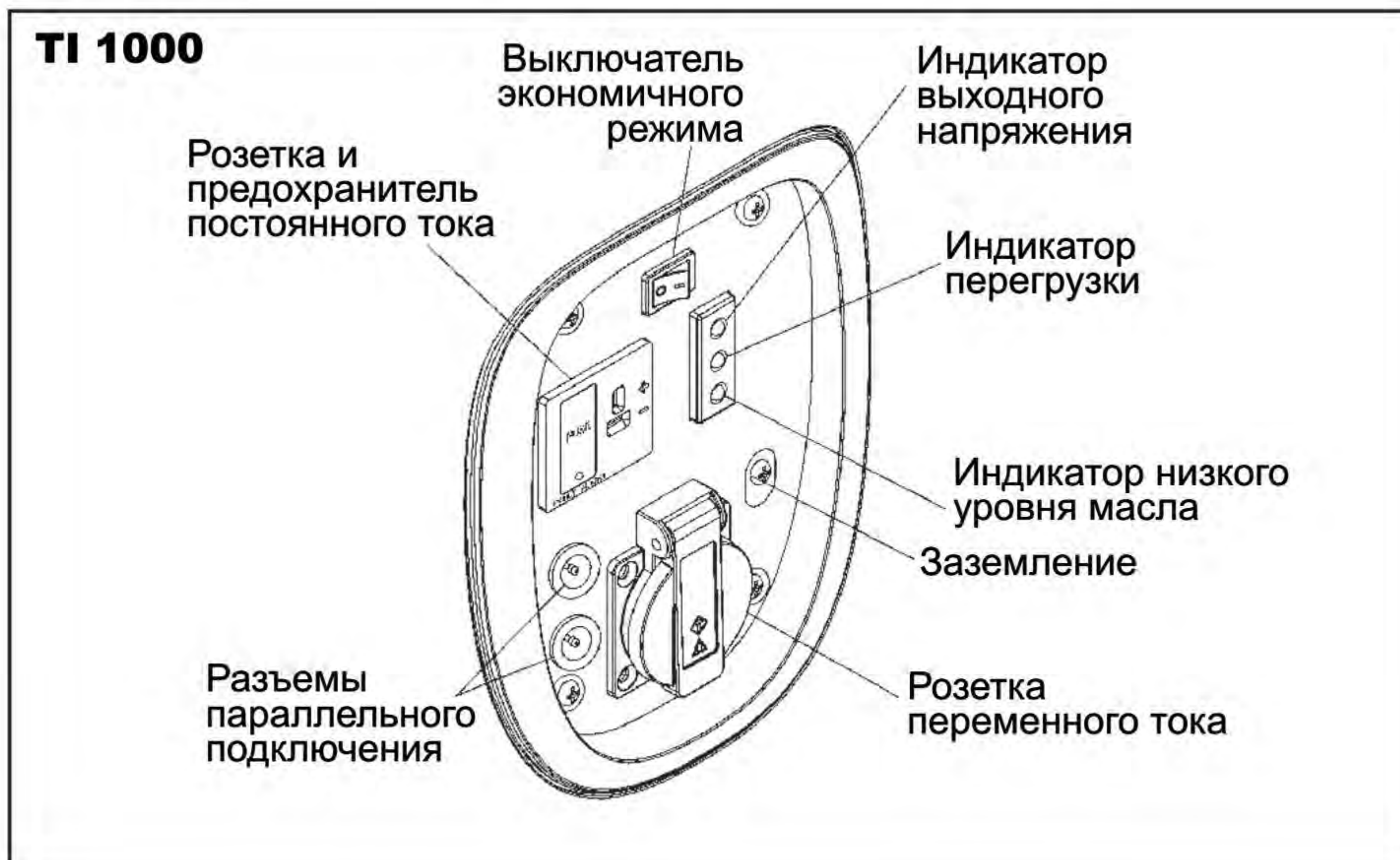
- Всегда проводите предэксплуатационный осмотр электростанции до запуска двигателя. Вы можете предотвратить аварию или повреждение оборудования.
- При работе размещайте электростанцию на расстоянии не менее 1 м от зданий/стен или другого оборудования.
- Во время работы электростанция должна стоять на горизонтальной поверхности. Если электростанция стоит под наклоном, то это может привести к проливу топлива.
- Внимательно изучите и запомните параграфы инструкции, касающиеся остановки электростанции, и органов управления. Не допускайте к работе с электростанцией лиц, не ознакомившихся с инструкцией.
- Не допускайте к работающей электростанции детей и домашних животных.
- Электростанция является источником электротока и при неправильной эксплуатации может стать причиной поражения электрическим током. Не осуществляйте эксплуатацию электростанции мокрыми руками и при большой влажности.
- Не эксплуатируйте электростанцию в дождь или снег и не допускайте попадания на нее влаги.

Эти наклейки предупреждают о потенциальной опасности, которая может привести к травме. Внимательно прочтите их, а также замечания и предостережения по безопасности, изложенные в этой инструкции.



## 2. Описание







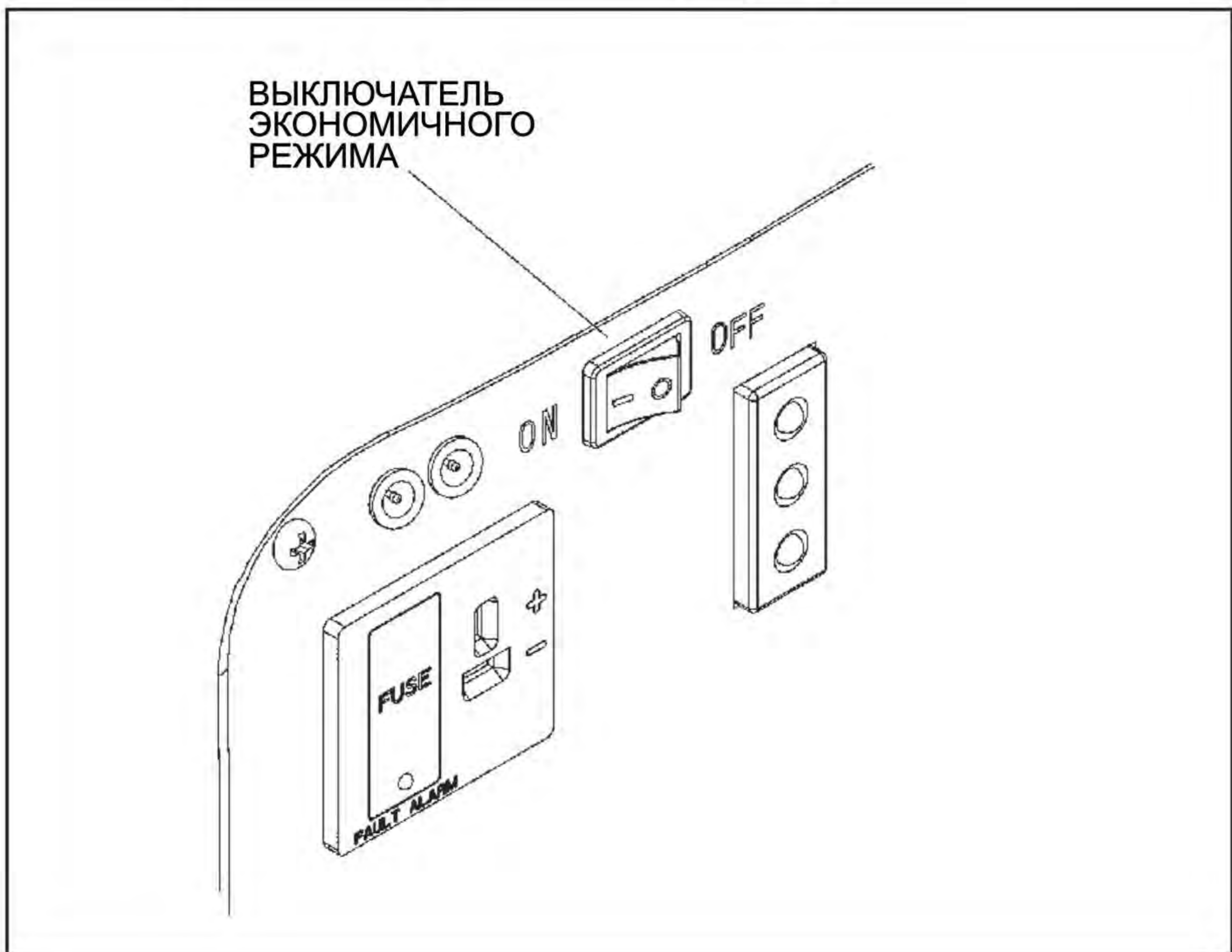
## Экономичный режим

Использование этого режима позволяет экономичнее использовать электростанцию, уменьшая число оборотов двигателя. Это позволяет сделать работу более тихой и снизить потребление топлива.

### **! ВНИМАНИЕ!**

- При подключении потребителей, имеющих высокий пусковой ток, этот режим должен быть отключен для того, чтобы электростанция быстро выходила на полную мощность.
- Экономичный режим может быть включен только при подключении потребителей, не требующих высокого пускового тока.
- При работе на постоянном токе экономичный режим должен быть выключен.
- Экономичный режим допускается использовать при подключении общей активной нагрузки, не превышающей 75% номинальной.

**Примечание:** Когда экономичный режим отключен, обороты двигателя выше номинальных.



### 3. Технические характеристики

Характеристика	Модель		
	TI 1000	TI 2000	TI 2600
Номинальное напряжение, В	230		
Номинальная частота, Гц	50		
Номинальный ток, А	3,9	7	10
Номинальные обороты, об/мин	5500	4500	3600
Номинальный выход, кВА	0,9	1,6	2,3
Максимальный выход, кВА	1	2	2,6
<b>Выход постоянного тока</b>			
Напряжение, В/А	12/8,3		
Прерыватель	нет		
Кол-во фаз	1		
<b>Двигатель</b>			
Модель	<b>KG144</b>	<b>KG158</b>	<b>KG166</b>
Тип	одноцилиндровый, 4-тактный, с воздушным охлаждением, бензиновый двигатель		
Рабочий объем, мл	53,5	105,6	171
Внутренний диаметр/ход, мм	43,5/36	58/40	66/55
Степень сжатия	8,5:1	8,5:1	8,5:1
Номинальная мощность, кВт/об.мин.	1,2/5500	2,2/4500	3,3/3600
Номинальные обороты, об/мин	5500	4500	3600
Система зажигания	T.C.I		
Свеча зажигания	R6 SUF	R6 SUF	WR7DC
Система запуска	оттяжной стартер		
Топливо	автомобильный неэтилированный бензин с октановым числом 91-93		
Потребление топлива, г/кВт.час	420	420	500
Емкость масляного картера, л	0,25	0,4	0,6
Масло	SAE 10W30 (выше марки CC)		
Емкость топливного бака, л	2,6	3,7	4,6
Непрерывное время работы, ч	5	4	3
Уровень шума, дБ(А)/7м	54-59	61-73	58-65
Диапазон рабочих температур, °С	от -5 до +40		
Нормальная влажность, %	от 30 до 90 (при 25°С)		
Нормальное атмосферное давление, кПА	100		
Габариты, ДхШхВ, мм	460x248x395	549x291x405	564x317x453
Вес, кг	14	22	26

Производитель имеет право вносить изменения как в содержание данной инструкции, так и в конструкцию аппарата без предварительного уведомления пользователей.

#### Комплектация:

- штепсельная вилка 2 шт (для TI 1000 - 1 шт)
- ключ свечной с рычагом к нему
- бачок для заливки масла
- переходник для розетки 12 В постоянного тока с клеммами

## 4. Подготовка к работе

Убедитесь, что электростанция установлена на горизонтальной поверхности.

### Уровень масла.



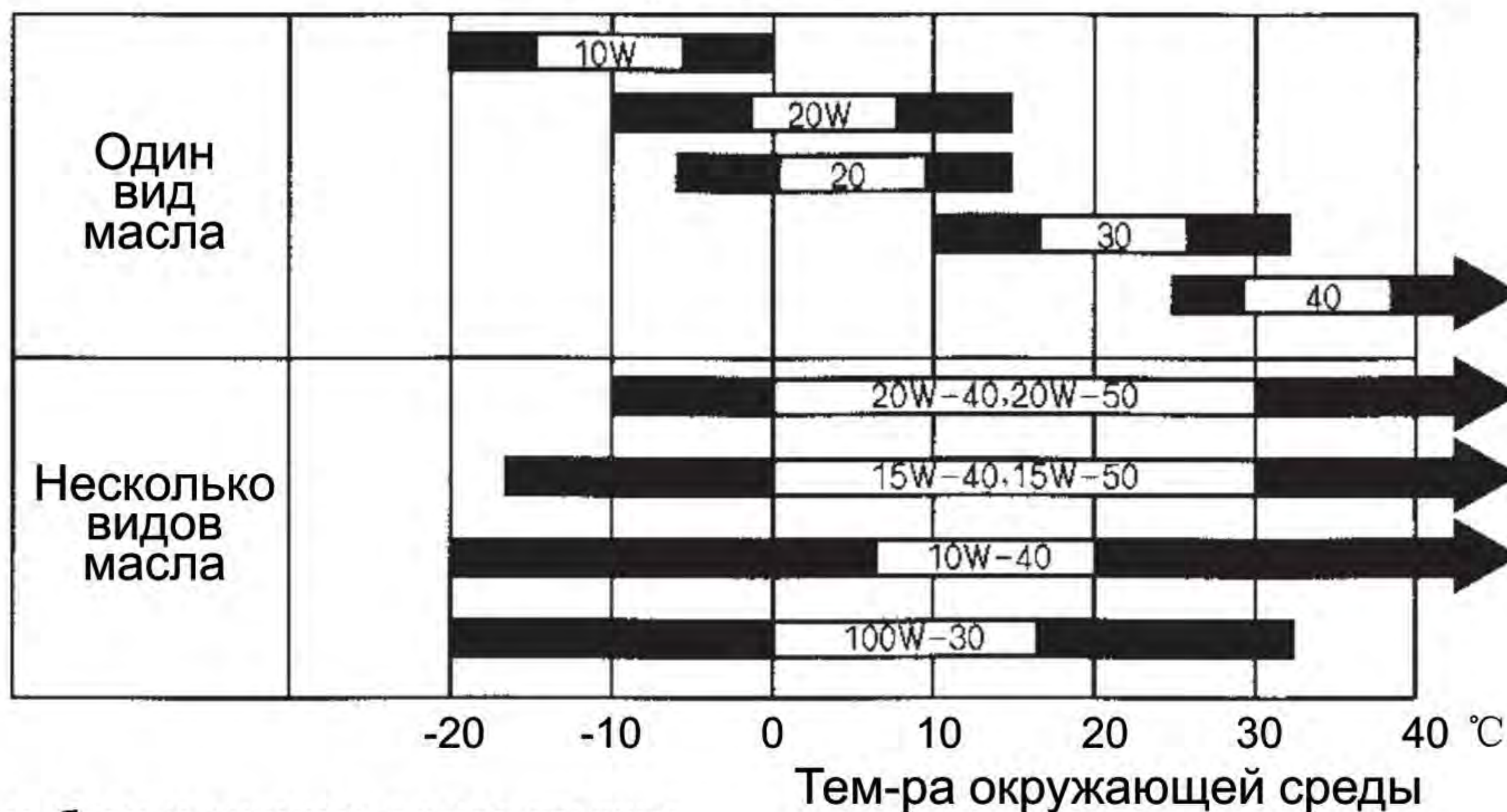
**ВНИМАНИЕ!**

Использование масла без присадок или масла для двухтактного двигателя может снизить срок службы двигателя.

Используйте масло для четырехтактного двигателя качества премиум с мощными присадками, сертифицированное на соответствие по классификации SG.SF службы API.

Выберите соответствующую вязкость для средней температуры в Вашем регионе по таблице ниже.

### Подбор масла SAE



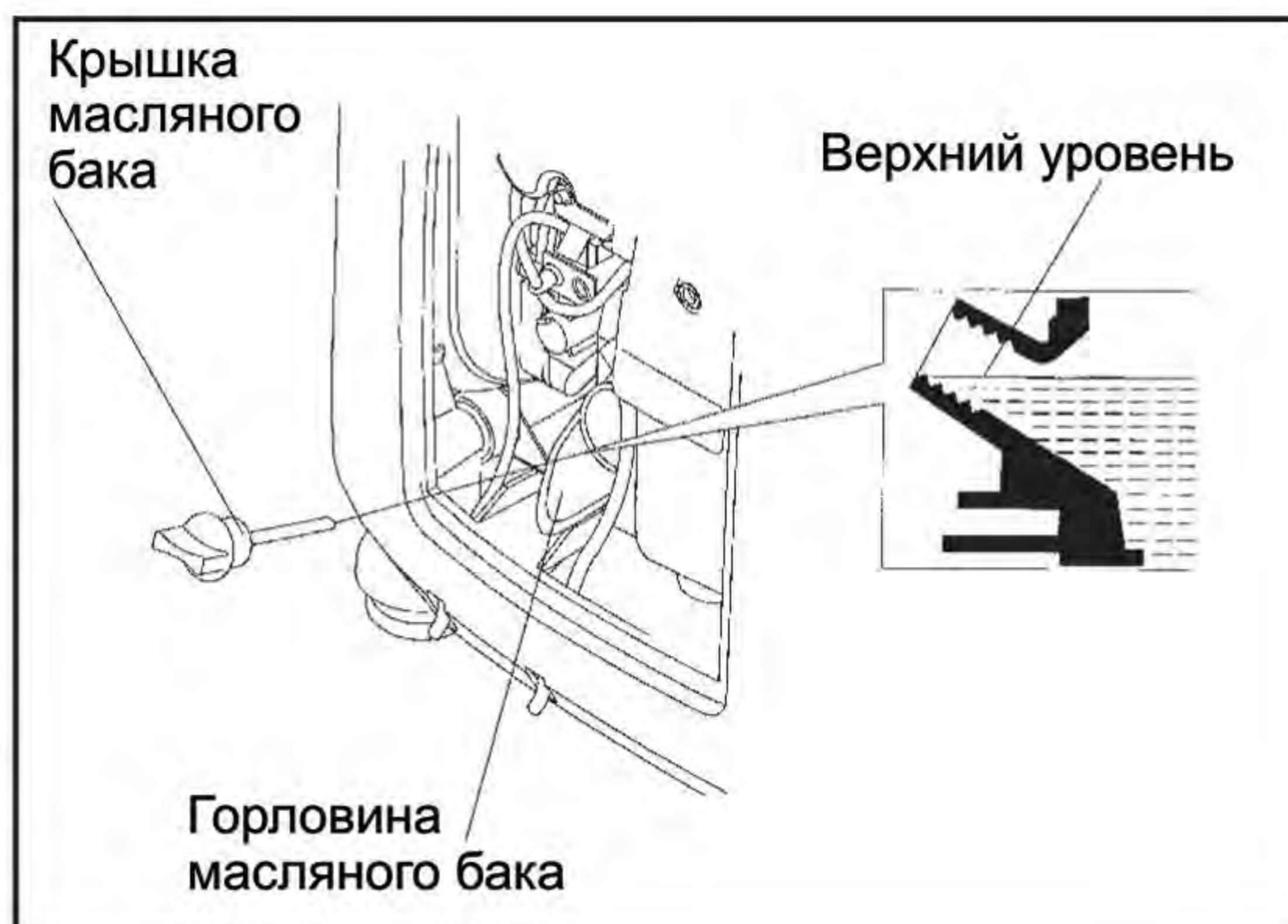
Отвинтите болт и снимите левую крышку технического обслуживания. Выньте щуп и протрите его тряпкой. Проверьте уровень масла, вставив щуп обратно. Если уровень масла ниже конца щупа, добавьте рекомендованное масло до верхнего уровня.



**ВНИМАНИЕ!**

Работа двигателя при низком уровне масла может привести к поломке двигателя электростанции.

Система аварийного отключения автоматически отключает двигатель, когда уровень масла падает ниже критического. Однако для исключения поломки электростанции рекомендуется регулярно проверять уровень масла.



## Уровень топлива.

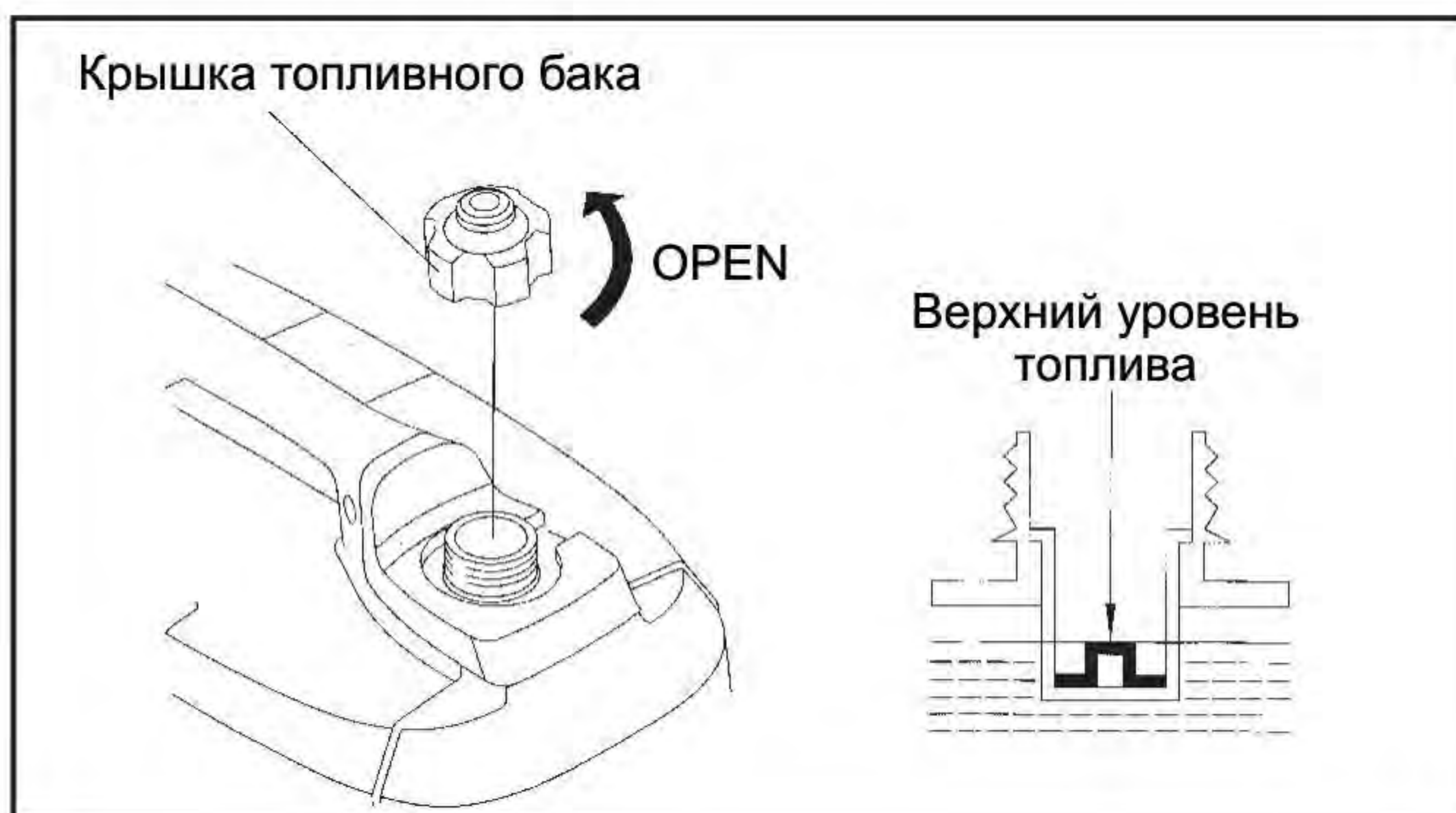
Используйте только неэтилированный бензин с октановым числом 91-93, так как он оставляет минимальные отложения в камере сгорания.

Если уровень топлива низкий, заправьте топливный бак до верхнего уровня. Никогда не используйте смесь нефти и бензина. Остерегайтесь попадания грязи, пыли или воды в топливный бак. После заправки надежно закрутите крышку топливного бака.

- Бензин крайне воспламеняем и взрывчат.
- Заправляйте электростанцию только в хорошо проветриваемых местах и при выключенном двигателе.
- Не курите и не допускайте наличия пламени или искр в зоне заправки двигателя и там, где хранится бензин.
- Не заливайте топливный бак выше уровня.
- После заправки убедитесь, что крышка бака надежно и должным образом закрыта.

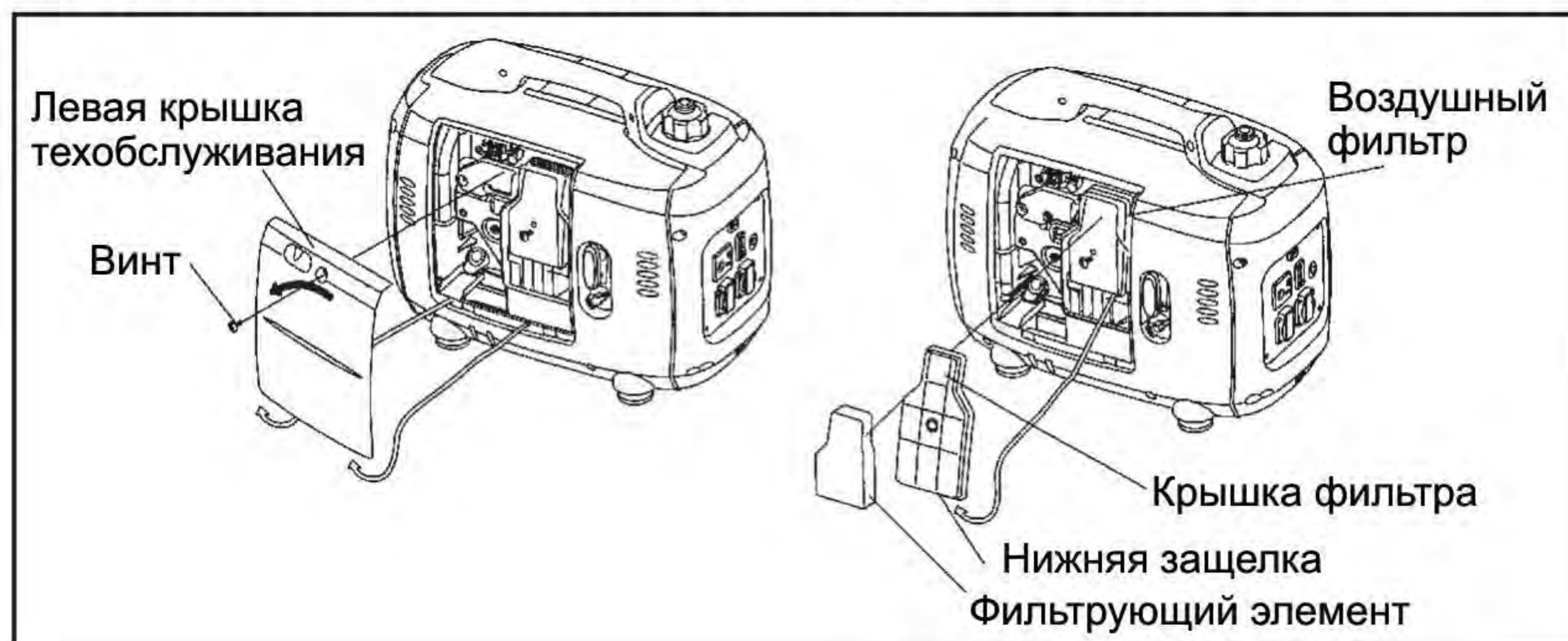
**ВНИМАНИЕ!**

- Будьте аккуратны и не проливайте топливо при заправке. Пролитое топливо или его пары могут воспламениться.
- Избегайте повторного или длительного контакта с кожей или вдыхания паров.
- Храните топливо в недоступном для детей месте.



## Воздушный фильтр.

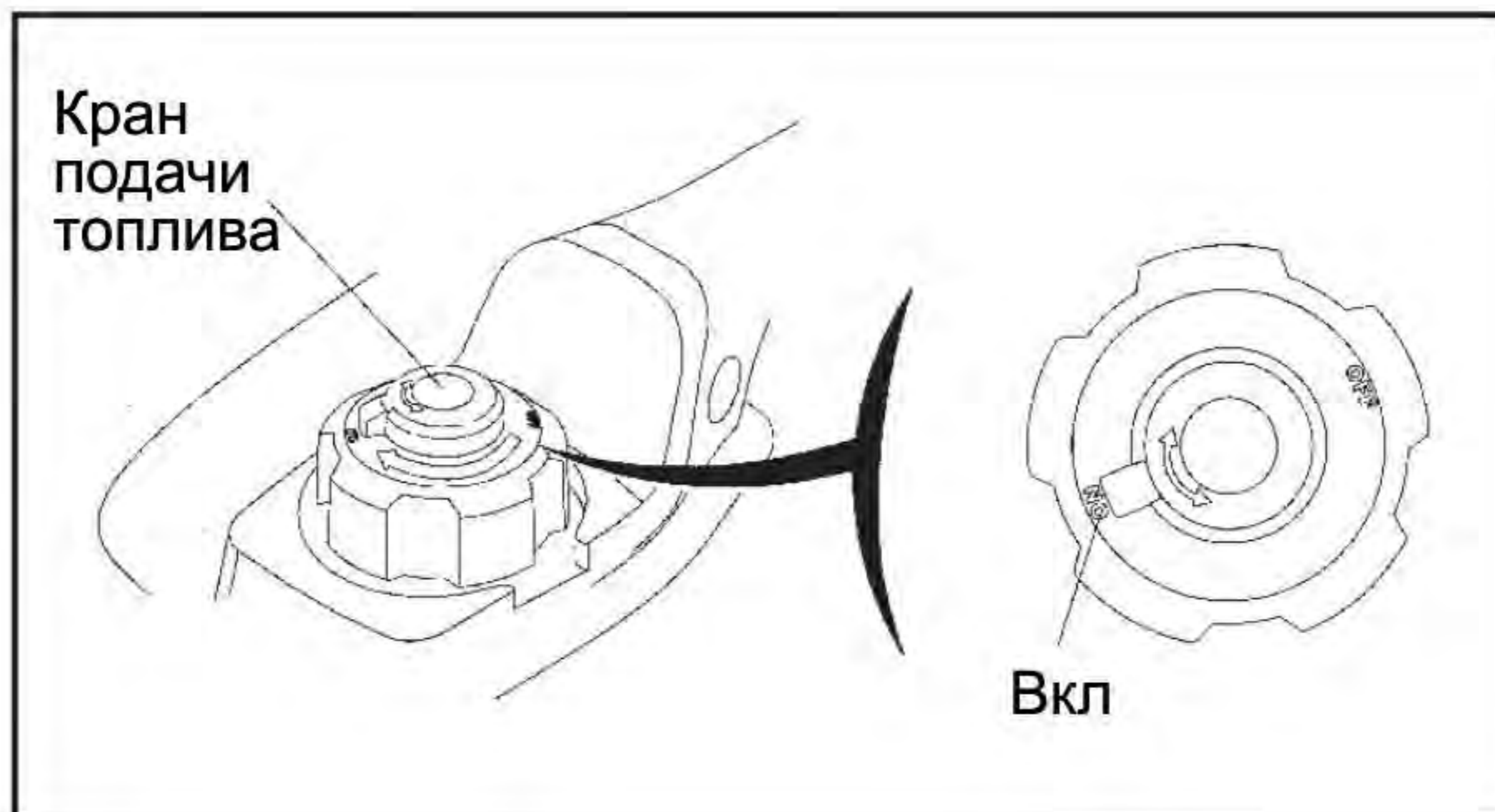
Убедитесь, что воздушный фильтр чистый и в хорошем состоянии. Для этого ослабьте крепеж левой крышки техобслуживания, нажмите на выступы защелки корпуса воздушного фильтра и снимите крышку. Проверьте фильтр, при необходимости очистите или замените его.



## 5. Запуск двигателя электростанции

Перед запуском двигателя обязательно отсоедините нагрузку от розеток.

1. Поверните кран подачи топлива, расположенный на крышке топливного бака, в положение Вкл.



2. Поверните выключатель двигателя в положение Вкл.

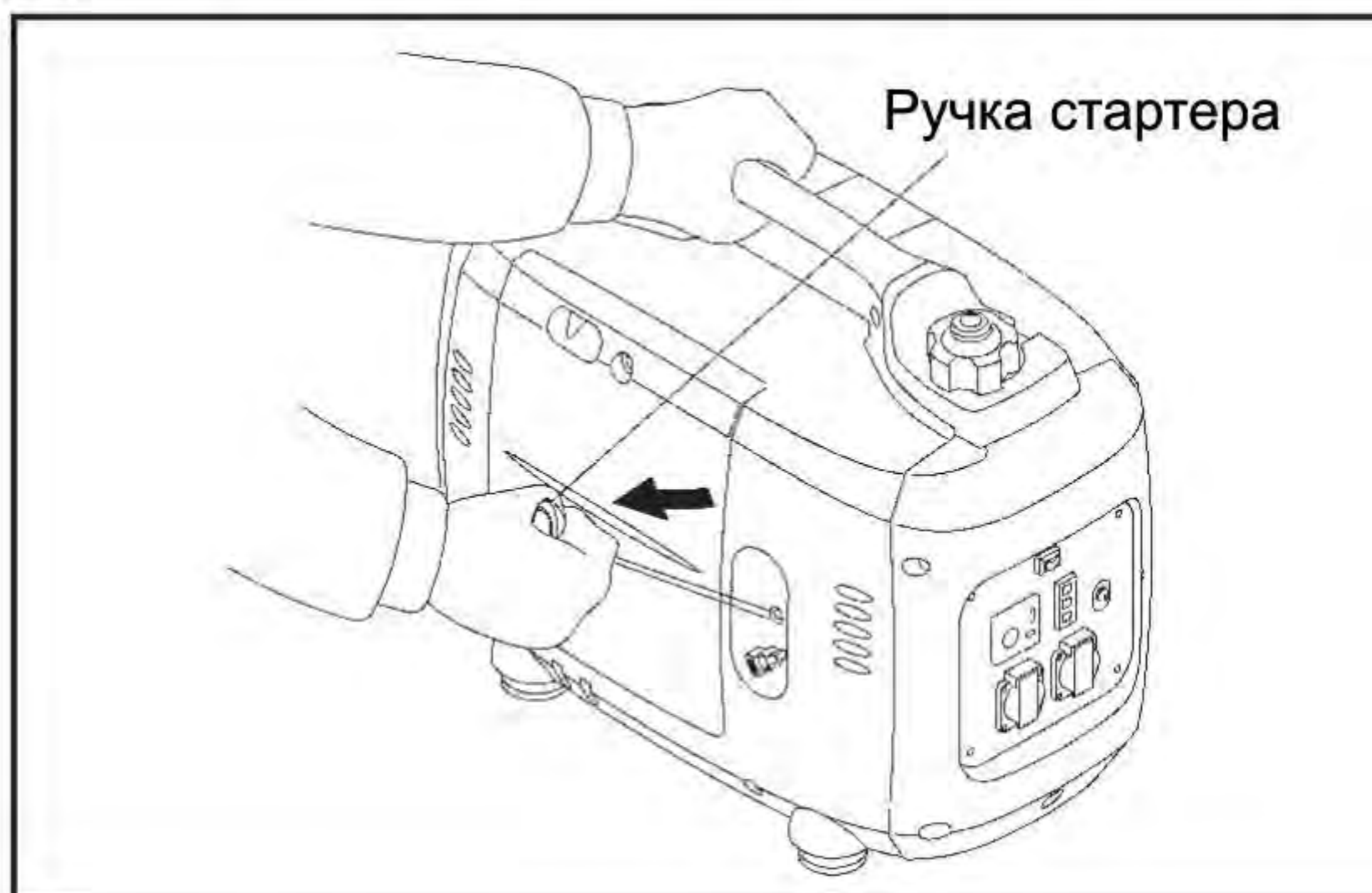


3. Поставьте воздушную заслонку в положение Пуск.



Не открывайте воздушную заслонку, если двигатель еще не остыл или температура воздуха окружающей среды достаточно высокая.

4. Потяните за ручку стартера, пока не появится натяжение, затем резко дерните за ручку, но не бросая ее после этого.



5. Поставьте воздушную заслонку в положение Работа.



### Эксплуатация на большой высоте над уровнем моря.

Так как на большой высоте над уровнем моря воздушно-топливная смесь в карбюраторе будет получаться чрезмерно обогащенной, то характеристики электростанции снизятся, а потребление топлива возрастет.

Характеристики могут быть улучшены путем установки в карбюраторе основных топливных форсунок меньшего диаметра и регулировки контрольных болтов. Если вы планируете постоянно осуществлять эксплуатацию электростанции на высоте более 1500 м над уровнем моря, то необходимо обратиться в Сервисный центр для этих доработок.

Даже при соответствующем впрыске в карбюраторе мощность двигателя понижается приблизительно на 3,5% на каждые 305 м увеличения высоты. Влияние высоты на мощность будет больше, если не делать никаких изменений в карбюраторе.

Работа генератора на высоте ниже той, на которую настроен впрыск, может привести к снижению характеристик, перегреву и серьезному повреждению двигателя из-за чрезмерно обедненной воздушно-топливной смеси.

**ВНИМАНИЕ!**

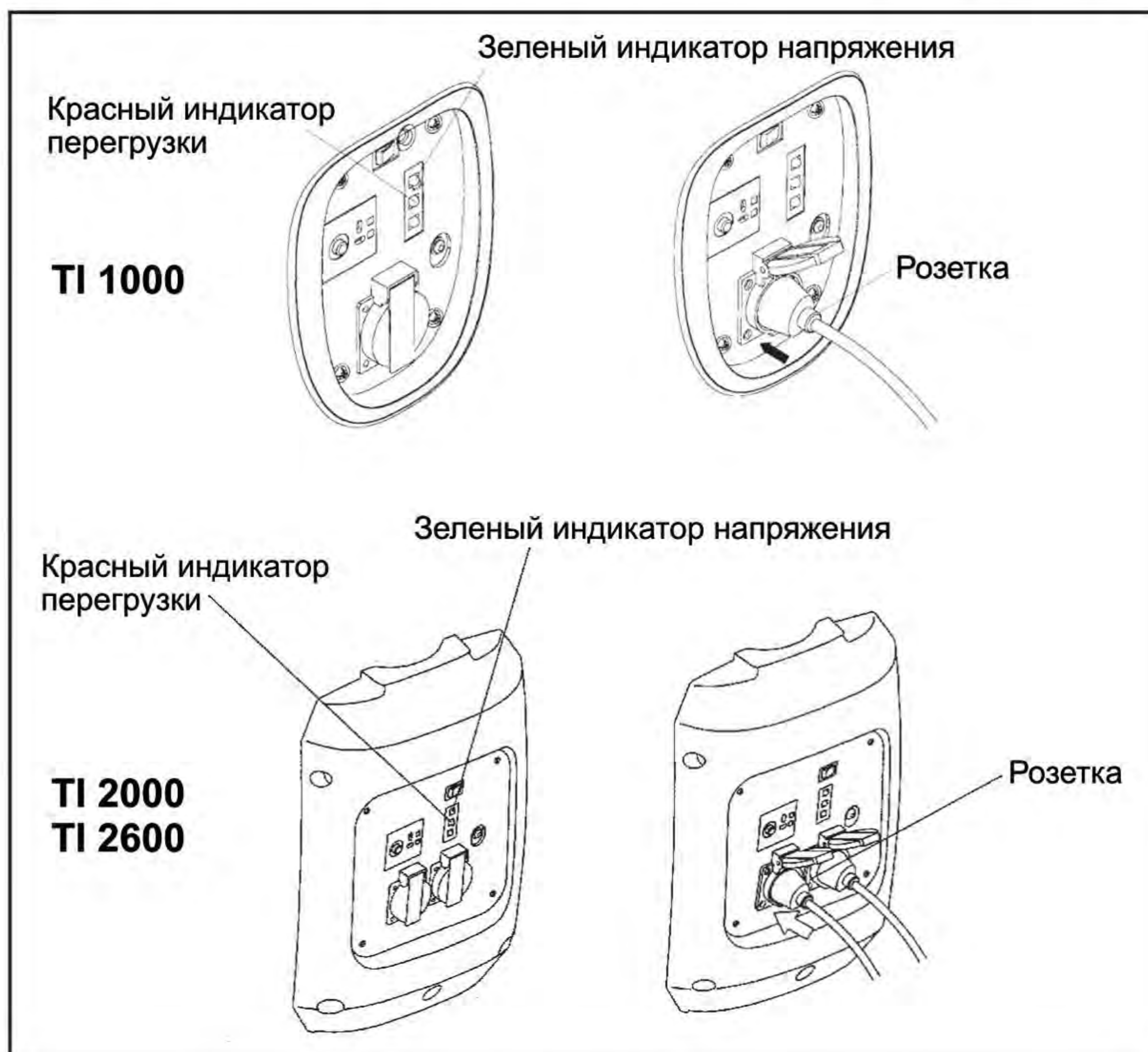
## 6. Эксплуатация электростанции

 **ВНИМАНИЕ!**

- Для предотвращения электрического удара от неисправного прибора, электростанцию необходимо заземлить. Для этого соедините проводом большого сечения клемму «Земля» электростанции с внешним заземлением.
- Подсоединения к электросистеме здания для энергообеспечения в режиме ожидания должны быть выполнены только квалифицированным электриком и должны соответствовать всем нормам и законам электротехники.
- Неправильное подсоединение может создать ситуацию, когда электрический ток поступает от электростанции в электросеть здания, что может стать причиной поражения электричеством людей, неисправности электроприборов, подключенных к сети и выходу из строя самой электростанции. Также это может стать причиной замыкания и пожара.
- Ограничьте работу, требующую максимальной мощности электростанции, 10 минутами. В течение непрерывной работы не превышайте номинальной мощности. Всегда обязательно учитывайте суммарную мощность всех подсоединенных приборов.
- Не превышайте предельный ток, определенный номиналом розетки.
- Не модифицируйте и не используйте электростанцию для других целей. Также при использовании генератора соблюдайте следующее:
  - Не подсоединяйте несколько электростанций параллельно;
  - Не подсоединяйте надставки к выхлопной трубе.
- Когда требуется кабель удлинителя, убедитесь, что для этого используется прочный резиновый экранированный гибкий кабель. Ограничьте длину кабелей удлинителя - 60 м для кабелей с сечением 1,5 мм.кв и 100 м для кабелей с сечением 2,5 мм.кв.
- Держите электростанции вдали от других электрических кабелей и проводов, особенно высоковольтных линий электропитания.
- Розетка постоянного тока может использовать всю мощность электростанции, поэтому если Вы используете одновременно розетку и постоянного, и переменного тока, убедитесь, что суммарная мощность не превышена.
- Большинству аппаратуры, имеющей двигателя, при запуске требуется больше мощности, чем их номинальная, заявленная мощность.

## Использование переменного тока

1. Запустите двигатель и убедитесь, что световой индикатор напряжения горит.
2. Убедитесь, что используемый прибор выключен и вставьте вилку в электростанцию.



### ВНИМАНИЕ!

- Существенные перегрузки, при которых постоянно горит световой индикатор перегрузки (красный), могут повредить электростанцию. Незначительные перегрузки, при которых временно загорается световой индикатор перегрузки, могут сократить срок службы электростанции.
- До подсоединения приборов к электростанции убедитесь, что они в хорошем рабочем состоянии. Если прибор начинает работать с отклонениями, начинает замедлять работу или внезапно останавливается, немедленно отключите электростанцию, затем отсоедините прибор и проверьте его исправность.

3. Для того, чтобы достичь наилучшего эффекта и максимального срока службы, новую электростанцию нужно включить на 20 часов при 50% нагрузке, чтобы электростанция достигла наилучших рабочих характеристик.



**Индикаторы напряжения и перегрузки**

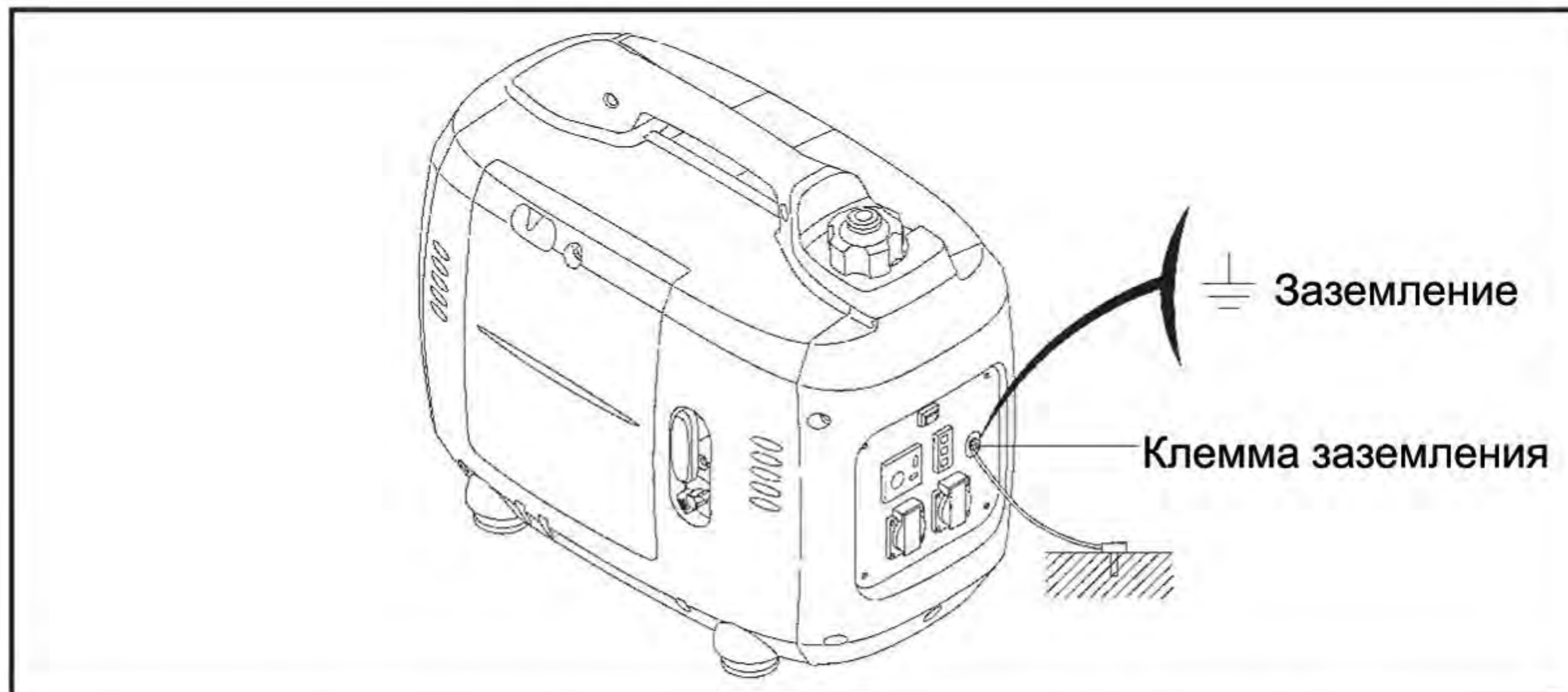
Световой индикатор напряжения (зеленый) горит всегда при нормальных рабочих условиях. Если электростанция перегружена или имеется короткое замыкание в нагрузке, то зеленый световой индикатор выключится, а индикатор перегрузки (красный) включится и отключится подача тока в подсоединенный прибор.

Если включается световой индикатор перегрузки, остановите двигатель и проверьте все подключенные приборы для определения источника перегрузки.

**⚠ ВНИМАНИЕ!**

- Перед подключением прибора к электростанции проверьте его исправность, а также соответствие его электрических параметров характеристикам электростанции. Затем подсоедините силовой провод прибора и запустите двигатель.
- Когда электростанция запущена, световой индикатор перегрузки и световой индикатор напряжения могут гореть одновременно. Это нормально, если световой индикатор перегрузки гаснет приблизительно через (4) секунды. Если красный световой индикатор перегрузки продолжает гореть, то необходимо обратиться за консультацией в Сервисный центр.

1. Подсоедините заземление



2. Запустите двигатель в соответствии с разделом "ЗАПУСК ДВИГАТЕЛЯ".

Когда зеленый световой индикатор напряжения не горит, а вместо этого горит красный световой индикатор перегрузки, установите переключатель двигателя в положение СТОП, остановите двигатель и затем запустите его снова.

3. Убедитесь, что используемое оборудование отключено, и вставьте вилку используемого оборудования в розетку переменного тока.

- Убедитесь, что используемое оборудование, которое должно быть подсоединено, отключено.

- Когда используемое оборудование включается, оно может заработать неожиданно, что может привести к травмам или авариям.

**⚠ ВНИМАНИЕ!**



#### 4. Включите используемое оборудование.

В случае работы с перегрузкой, или когда произошло повреждение используемого оборудования, зеленый световой индикатор напряжения гаснет, а световой индикатор перегрузки будет постоянно светиться и на выходе не будет напряжения.

Если при этом электростанция не остановится, ее необходимо остановить путем установки соответствующего переключателя двигателя в положение «Остановка» (STOP).

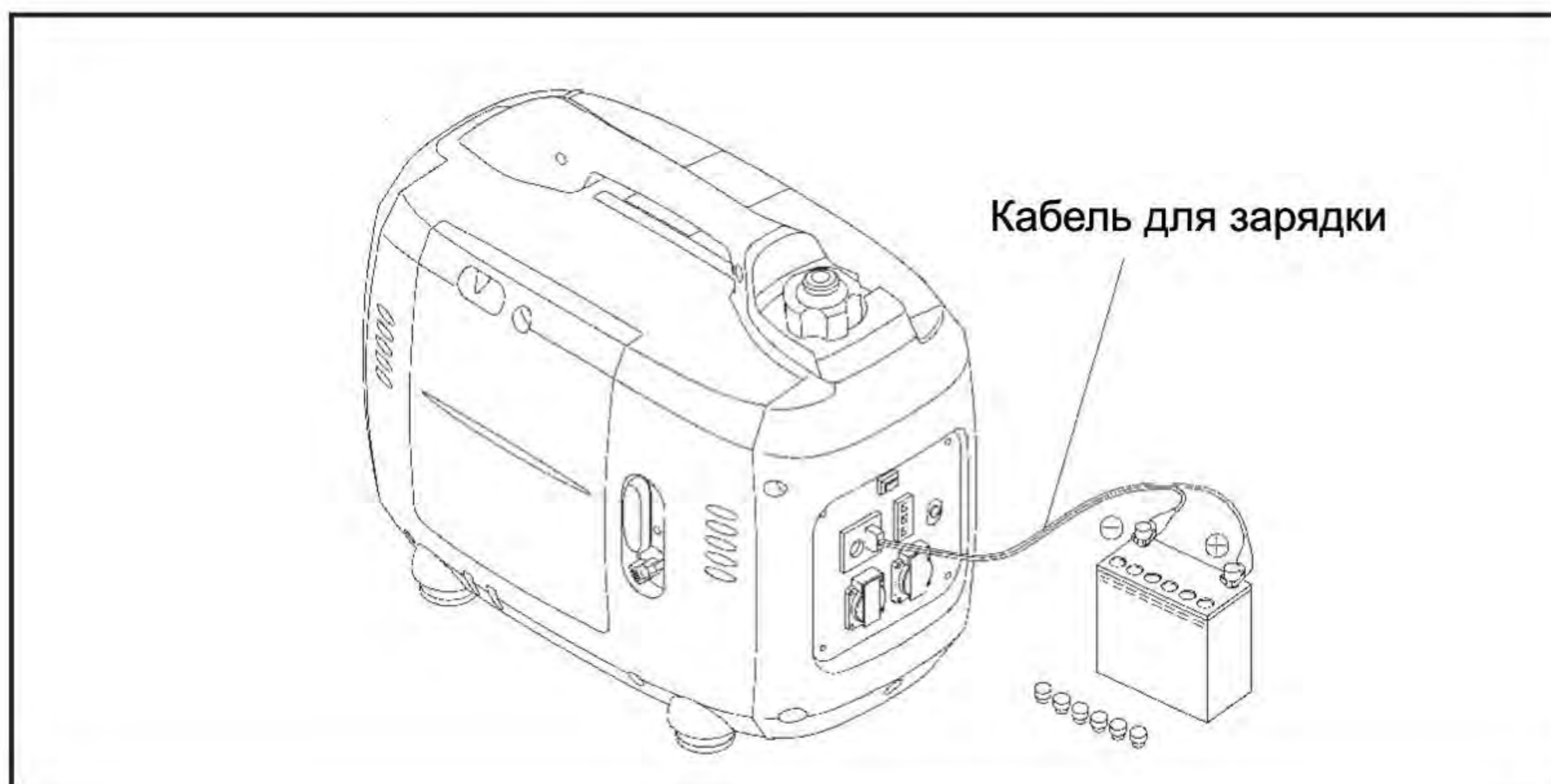
**ВНИМАНИЕ!**

Когда используется оборудование, требующее большой мощности при запуске, такое как моторы и т.п., красный световой индикатор перегрузки и зеленый световой индикатор напряжения в течение короткого времени (около 4 сек.) могут гореть одновременно, и это нормально. После запуска оборудования световой индикатор перегрузки гаснет, а световой индикатор напряжения продолжает гореть.

Розетка постоянного тока может быть использована для зарядки аккумуляторов автомобильного типа на 12 вольт.

При работе на постоянном токе переключатель экономичного режима должен быть выключен.

1. Подсоедините кабель зарядки к розетке постоянного тока электростанции и к клеммам аккумулятора.

**⚠ ВНИМАНИЕ!**

- Для предотвращения возможности появления искры сначала подсоедините кабель зарядки к электростанции, а затем к аккумулятору. Отсоединяйте кабель сначала от аккумулятора.
- До подсоединения кабеля зарядки к аккумулятору, который установлен на транспортном средстве, отсоедините кабель заземления аккумулятора от транспортного средства. Снова подсоедините кабель заземления к транспортному средству после того, как кабели зарядки сняты. Это предотвратит возможность короткого замыкания и искры, если вы случайно установите контакт между клеммой аккумулятора и рамой или корпусом транспортного средства.
- Не пытайтесь запустить автомобильный двигатель с аккумулятором, подключенным к электростанции. Это может повредить электростанцию.
- Подсоединяйте положительную клемму аккумулятора только к положительному проводу зарядки. Не меняйте полярность контактов кабеля, так как это может стать причиной серьезных повреждений электростанции и/или аккумулятора.

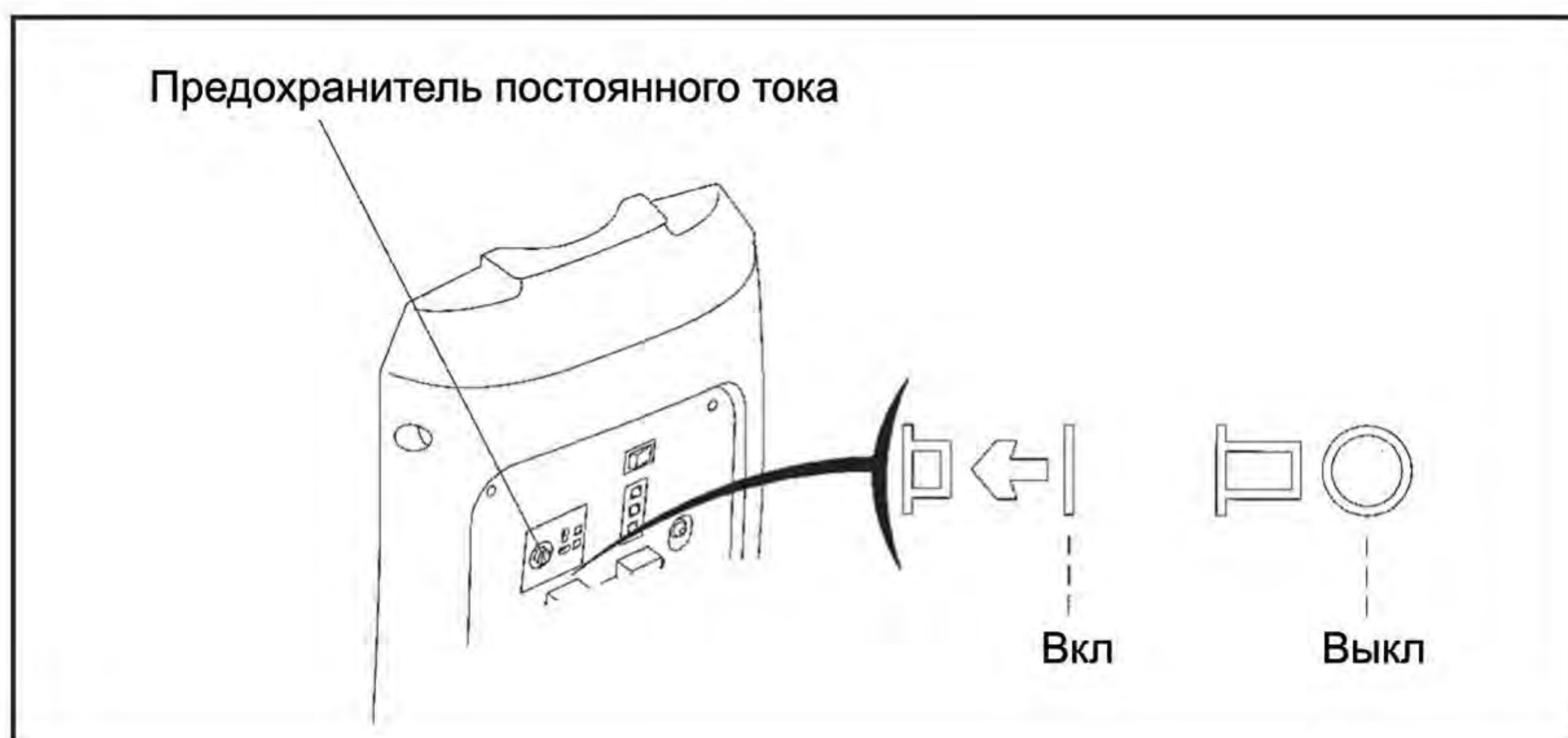


- Аккумулятор выделяет взрывоопасные газы. Не допускайте появления поблизости огня, искр или сигарет. Обеспечьте соответствующую вентиляцию при зарядке.
  - Аккумулятор содержит электролит, попадание которого на кожу или в глаза может вызвать ожоги. Надевайте защитную одежду и средства защиты глаз/лица. Если электролит попал на кожу, то необходимо обильно промыть это место водой. Если электролит попал в глаза, то необходимо промыть их водой в течение 15 минут и обратиться за медицинской помощью.
  - При попадании электролита в рот необходимо выпить большое количество воды или молока, а затем магнезии или растительного масла, и обратиться за медицинской помощью.
- Держите аккумулятор в недоступном для детей месте.

## 2. Запуск двигателя.

При использовании переменного тока может использоваться одновременно розетка постоянного тока.

- В случае перегрузки в цепи постоянного тока включится защитное устройство. Если это произойдет, то подождите несколько минут, прежде чем отключить защитное устройство и возобновить работу.



### Индикатор низкого уровня масла.

Индикатор низкого уровня масла предназначен для предотвращения повреждения двигателя, вызванного недостаточным количеством масла в картере двигателя. До того, как уровень масла в картере упадет ниже предельного, система уровня масла автоматически отключит двигатель (выключатель двигателя останется в положении ВКЛ.).

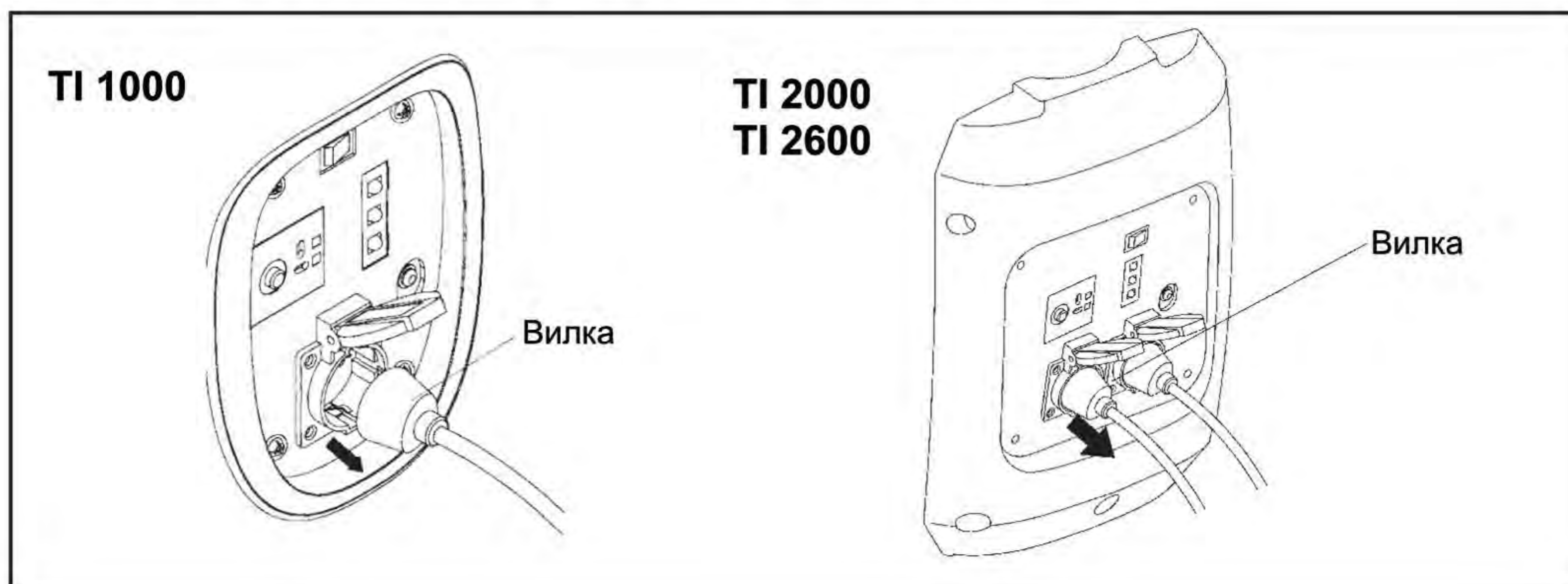


## 7. Остановка двигателя

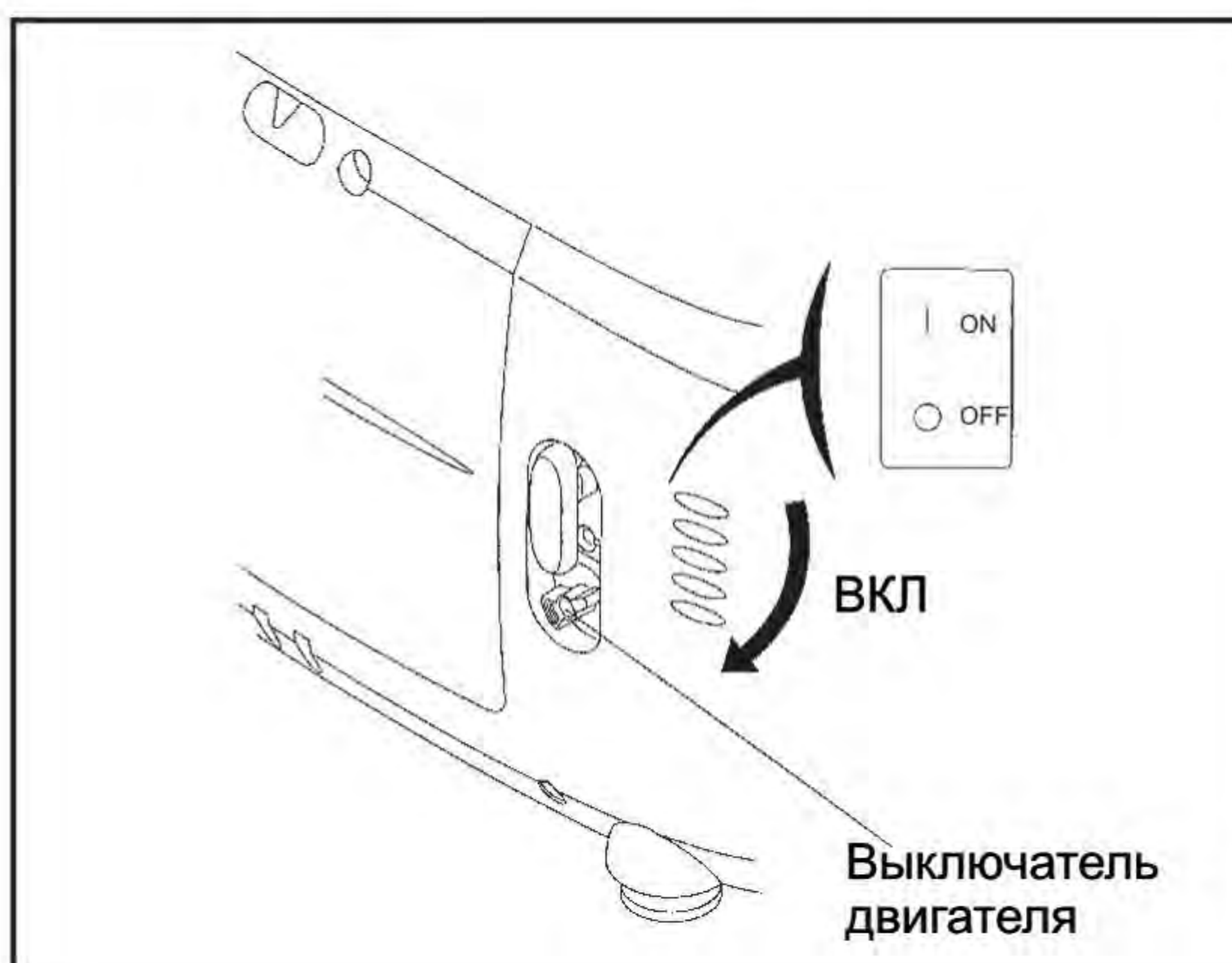
Для остановки двигателя в аварийной ситуации поверните выключатель двигателя в положение ВЫКЛ.

ПРИ НОРМАЛЬНОМ ИСПОЛЬЗОВАНИИ:

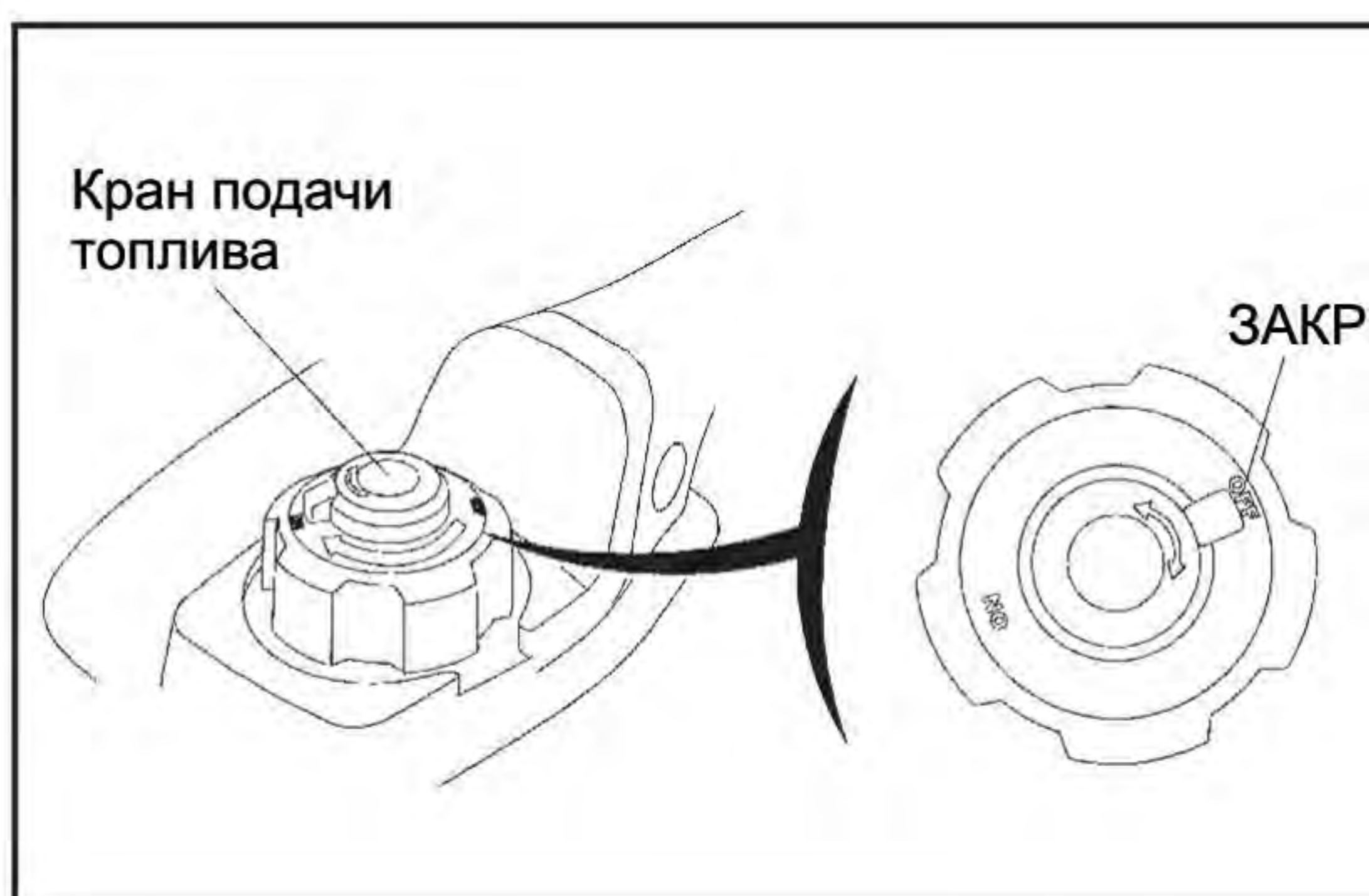
1. Выключите подсоединенное оборудование и вытащите вилку.



2. Поверните выключатель двигателя в положение ВЫКЛ.



3. Поверните кран подачи топлива против часовой стрелки до конца в положение ЗАКР.



Убедитесь, что кран подачи топлива, воздушная заслонка и выключатель двигателя находятся в положении ЗАКР. или ВЫКЛ при выключении, транспортировке и/или хранении электростанции.

## 8. Параллельное подключение электростанций

Перед подключением любого оборудования необходимо внимательно ознакомиться с содержанием раздела "Эксплуатация".

Имеется две клеммы для подсоединения специального провода с розеткой при параллельном подключении электростанций.

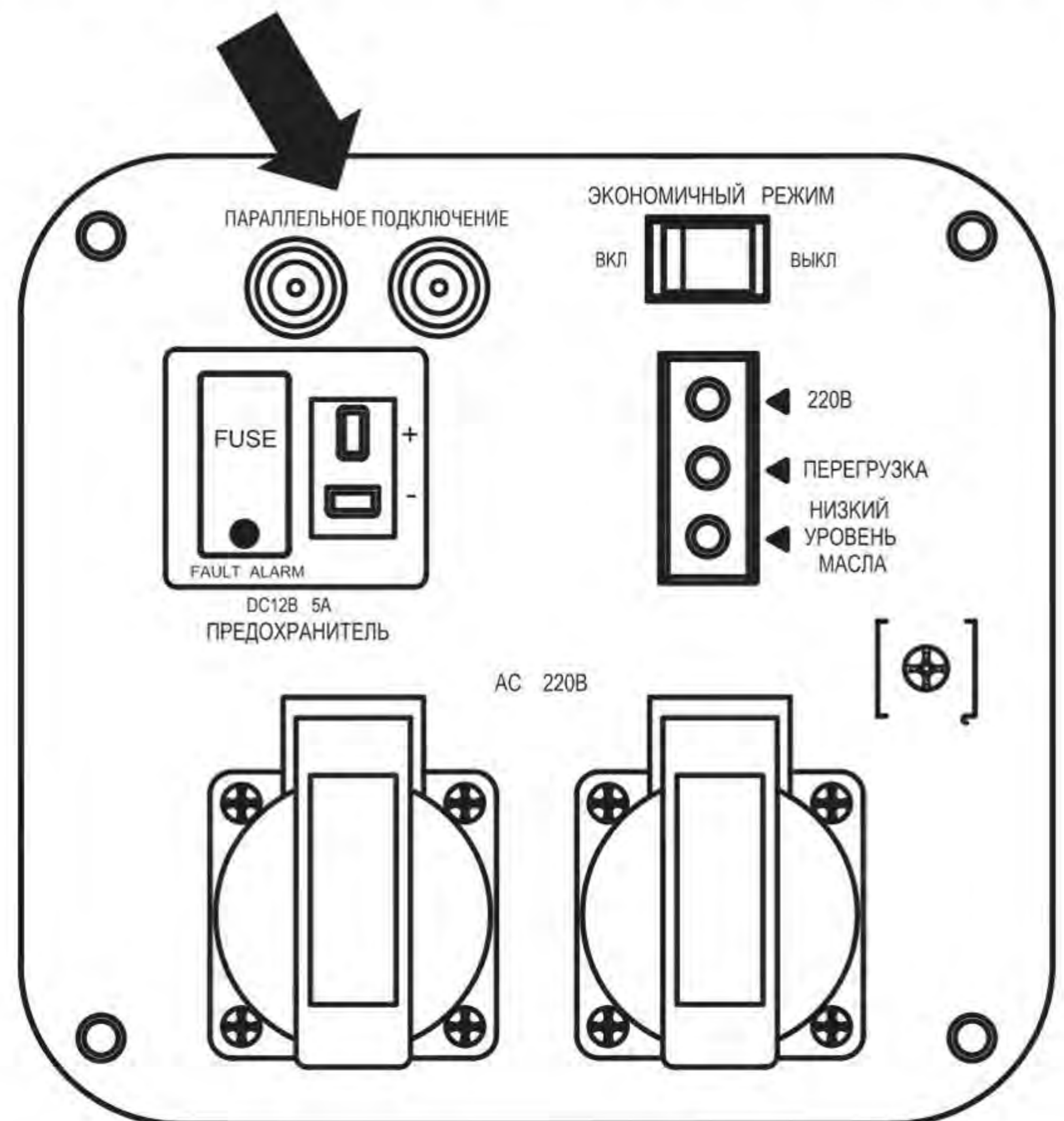
При параллельном подключении используйте исключительно специальные кабели (в комплект не входят).

### **ВНИМАНИЕ:**

**Запрещается непрерывно эксплуатировать электростанцию в режиме максимальной мощности более, чем 30 минут.**

**При продолжительной работе, мощность электростанции не должна превышать номинальную.**

**В любом случае необходимо учитывать совокупную мощность в ваттах потребителей тока, подсоединенных к электростанции.**



	TI 1000	TI 2000	TI 2600
Максимальная мощность при параллельном подключении, кВА	1,6	3,2	4,165
Номинальная мощность при параллельном подключении, кВт	1,44	2,56	3,68

### **ПРЕДУПРЕЖДЕНИЕ:**

- При параллельном подключении запрещено использовать электростанции различающихся моделей и версий.
- Для параллельного подключения используйте исключительно специальные кабели.
- Подключение и отсоединение специального кабеля с розеткой для параллельной работы производить только при остановленном двигателе.
- При использовании электростанции отдельно, специальный кабель с розеткой необходимо отсоединить.



**ПРИМЕЧАНИЕ:**

- Некоторые виды потребителей тока могут вызвать перегрузку, в результате чего включится индикатор перегрузки (красный) и подача тока прекратится.

- Электродвигатели в момент запуска обычно потребляют в 2-3 раза больше энергии, чем в штатном режиме работы.

1. Перед началом работы двух станций в параллельном режиме необходимо отключить от них всех подключенных электрических потребителей.

2. Подключите разъемы 2 устройства параллельного подключения 1 к розеткам 3 на передней панели электростанции.

3. Обязательно подключите клемму заземления 4 к зажиму заземления 5 на электростанции.

4. Обязательно заземляйте электростанцию, если подсоединенные к нему потребители тока заземлены.

5. Запустите каждый двигатель согласно процедуре, указанной в разделе "ЗАПУСК ДВИГАТЕЛЯ".

- Если после запуска двигателя вместо индикатора выходной мощности зеленого цвета включится индикатор перегрузки красного цвета, выключатель зажигания следует перевести в положение STOP (ВЫКЛ), заглушить двигатель и затем произвести повторный запуск двигателя.

**Важно:**

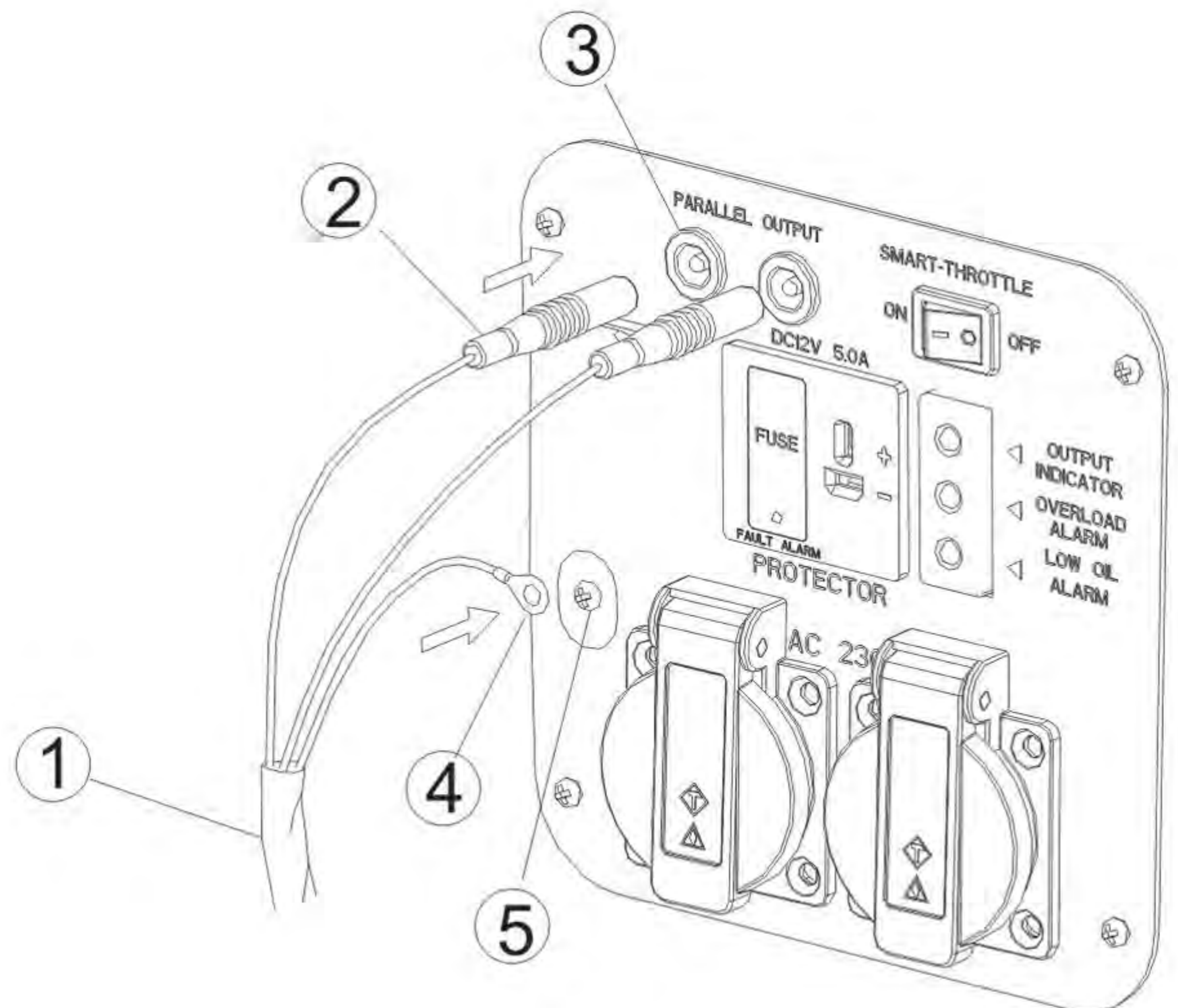
- Проверьте подключение нагрузочного кабеля на каждой электростанции.

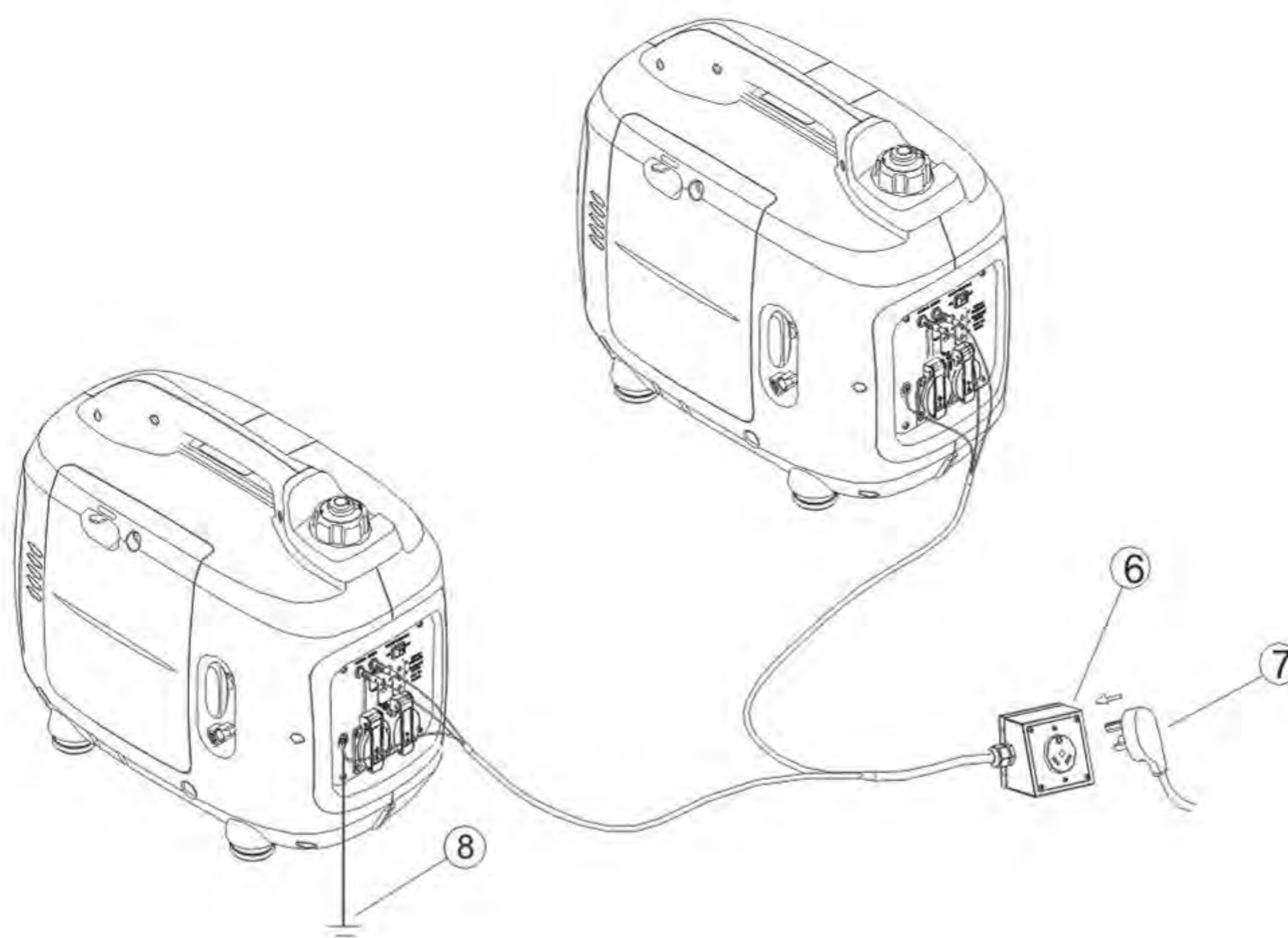
Если какой-нибудь из кабелей не будет подключен возможно повреждение электростанций во время запуска.

6. Убедитесь, что подключаемый потребитель тока выключен, и после этого вставьте электрическую вилку потребителя тока 7 в розетку переменного тока устройства для параллельного подключения 6.

**ВНИМАНИЕ:**

Убедитесь, что подключаемый потребитель тока выключен. Невыключенный потребитель тока при подсоединении может внезапно начать работать, что может привести к травмам или несчастному случаю.





#### 7. Включите потребитель.

- На передней панели электростанций должен загореться индикатор выходной нагрузки зеленого цвета.

В случае перегрузки или неполадок в потребителе тока, индикатор выходной нагрузки погаснет, индикатор перегрузки красного цвета будет постоянно включен, а подача тока прекратится. При этом двигатель будет продолжать работать, поэтому для его остановки необходимо перевести соответствующий выключатель в положение STOP (ВЫКЛ.).

#### **ПРИМЕЧАНИЕ:**

Иногда потребитель тока (например, электродвигатель) нуждается в больших пусковых токах. При этом индикатор перегрузки красного цвета и индикатор выходной нагрузки зеленого цвета будут одновременно гореть в течение около 4 секунд. Такое одновременное срабатывание является нормальным. После запуска потребителя индикатор перегрузки красного цвета должен погаснуть, а индикатор выходной нагрузки продолжать гореть.

#### 8. Выключение электростанций.

Для завершения работы необходимо:

- отключить потребителей электроэнергии от розетки устройства для параллельной работы.
- остановить двигатели каждой электростанций и разъединить силовой кабель.

#### **ВНИМАНИЕ**

- Для организации параллельной работы электростанций можно использовать только оригинальное устройство фирмы Fubag.
- Убедитесь в надежности соединения разъемов устройства для параллельной работы.
- Подключайте электрических потребителей только к розетке на устройстве для параллельной работы, запрещено подключать потребителей к розеткам на передней панели электростанций.
- Не используйте устройство для параллельной работы и кабель связи при отдельной работе электростанций.
- Не подсоединяйте устройство для параллельной работы во время работы любой из электростанций.

## 9. Техническое обслуживание

Необходимо регулярно выполнять плановое техническое обслуживание электростанции для поддержания ее в исправном рабочем состоянии.



**ВНИМАНИЕ!**

- Обязательно остановите двигатель перед проведением технического обслуживания
- Используйте только оригинальные запасные части

Сервисный период		Перед каждым использованием	Первый месяц или 10 часов	Каждые 3 месяца или 50 часов	Каждые 6 месяцев или 100 часов	Каждый год или 300 часов
Масло	Проверка	●				
	Замена		●		●	
Воздушный фильтр	Проверка	●				
	Чистка			● (2)		
Свеча	Чистка-регулировка				●	
Искрогаситель	Чистка				●	
Топливная крышка	Проверка				●	
Клапан	Проверка-регулировка					● (3)
Топливный бак и сетка	Чистка					● (3)
Топливопровод	Проверка	Каждые 2 года (заменить, если необходимо)(3)				

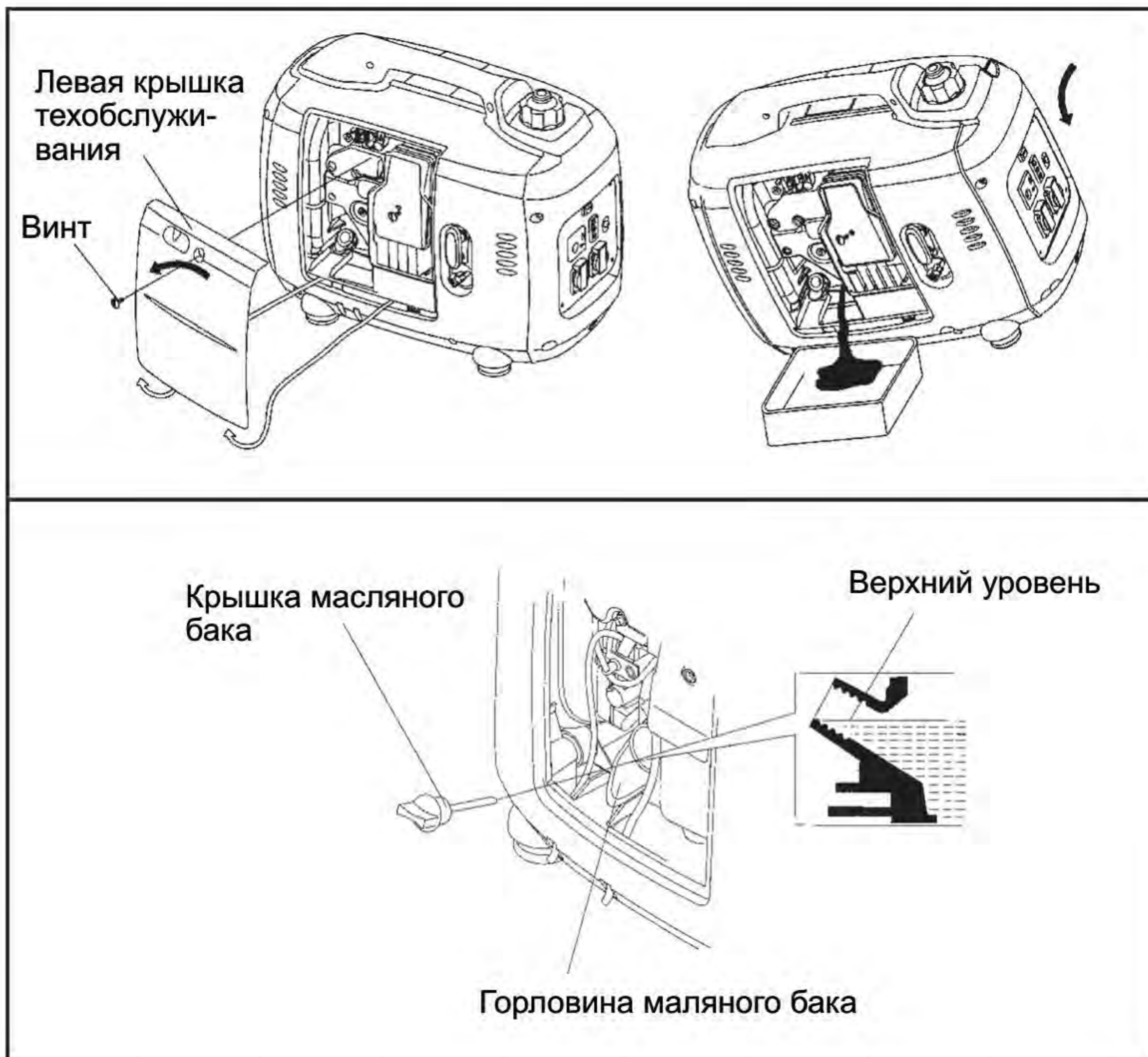
1. Все проведенные работы необходимо заносить в специальный журнал.
2. Техническое обслуживание необходимо проводить чаще при работе электростанции в загрязненной атмосфере.
3. При отсутствии квалифицированного персонала эти работы должны проводиться в Сервисном центре.

## 1. Замена масла.



- Сливать масло необходимо, пока двигатель теплый.
- Убедитесь, что двигатель выключен, а кран подачи топлива закрыт.

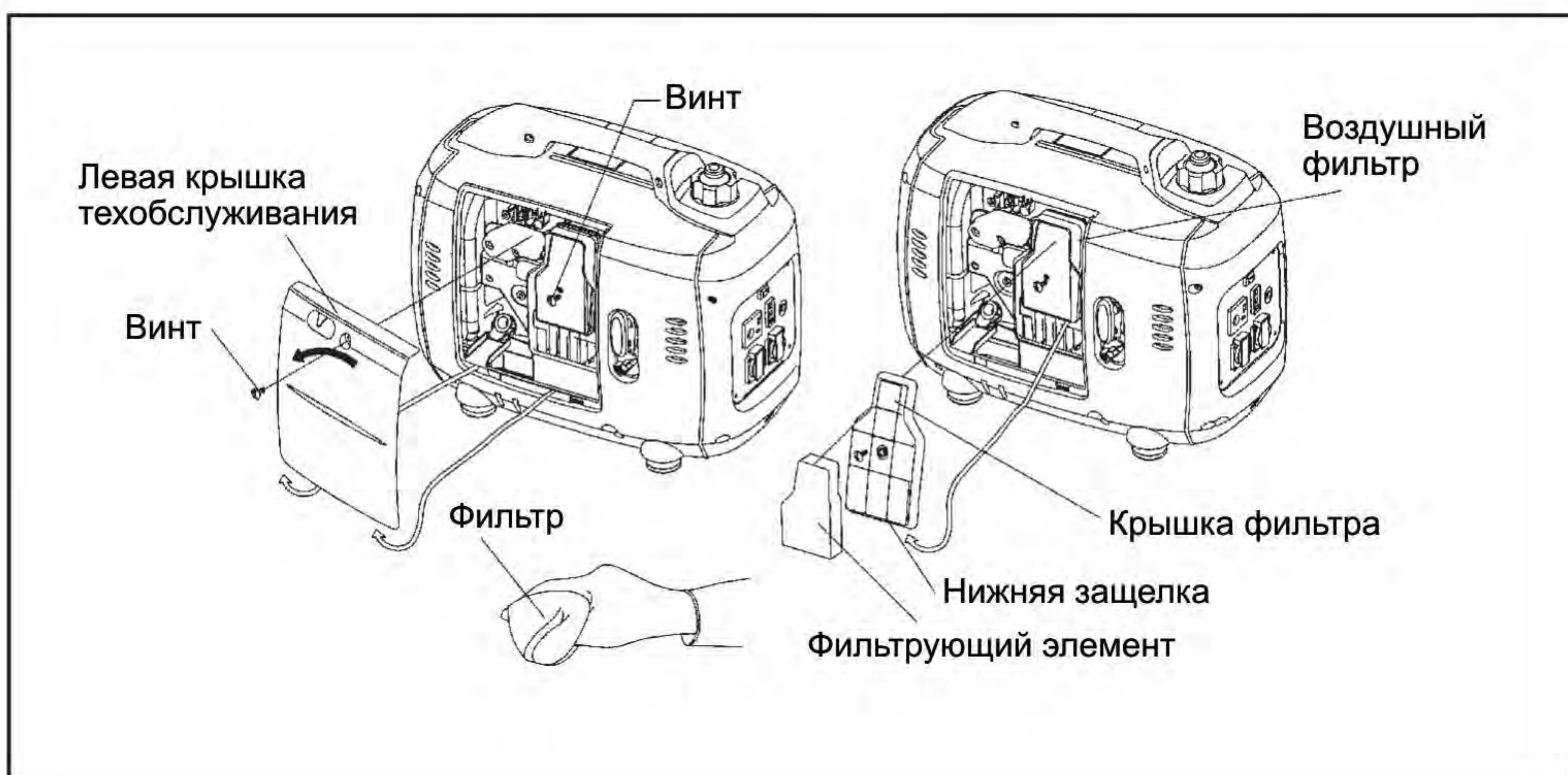
1. Отвинтите винт и снимите левую крышку технического обслуживания.
2. Отвинтите пробку масляного бака.
3. Слейте отработанное масло.
4. Залейте новое масло и проверьте уровень.
5. Завинтите пробку масляного бака.
6. Установите крышку техобслуживания и закрутите винты.



**2. Проверка/чистка воздушного фильтра.**

**⚠ ВНИМАНИЕ!** - Нельзя использовать бензин или растворители для чистки фильтра, так как они взрывоопасны.

1. Отвинтите винт и снимите левую крышку технического обслуживания.
2. Снимите крышку фильтра, нажав на защелку, и выньте фильтрующий элемент.
3. Промойте фильтрующий элемент, опустите в чистое моторное масло и отожмите.
4. Установите обратно фильтрующий элемент.
5. Закройте крышку фильтра.
6. Установите крышку техобслуживания и закрутите винты.



### 3. Проверка/чистка свечи зажигания.

Для стабильной работы электростанции свеча зажигания двигателя должна быть чистой и иметь правильный зазор.

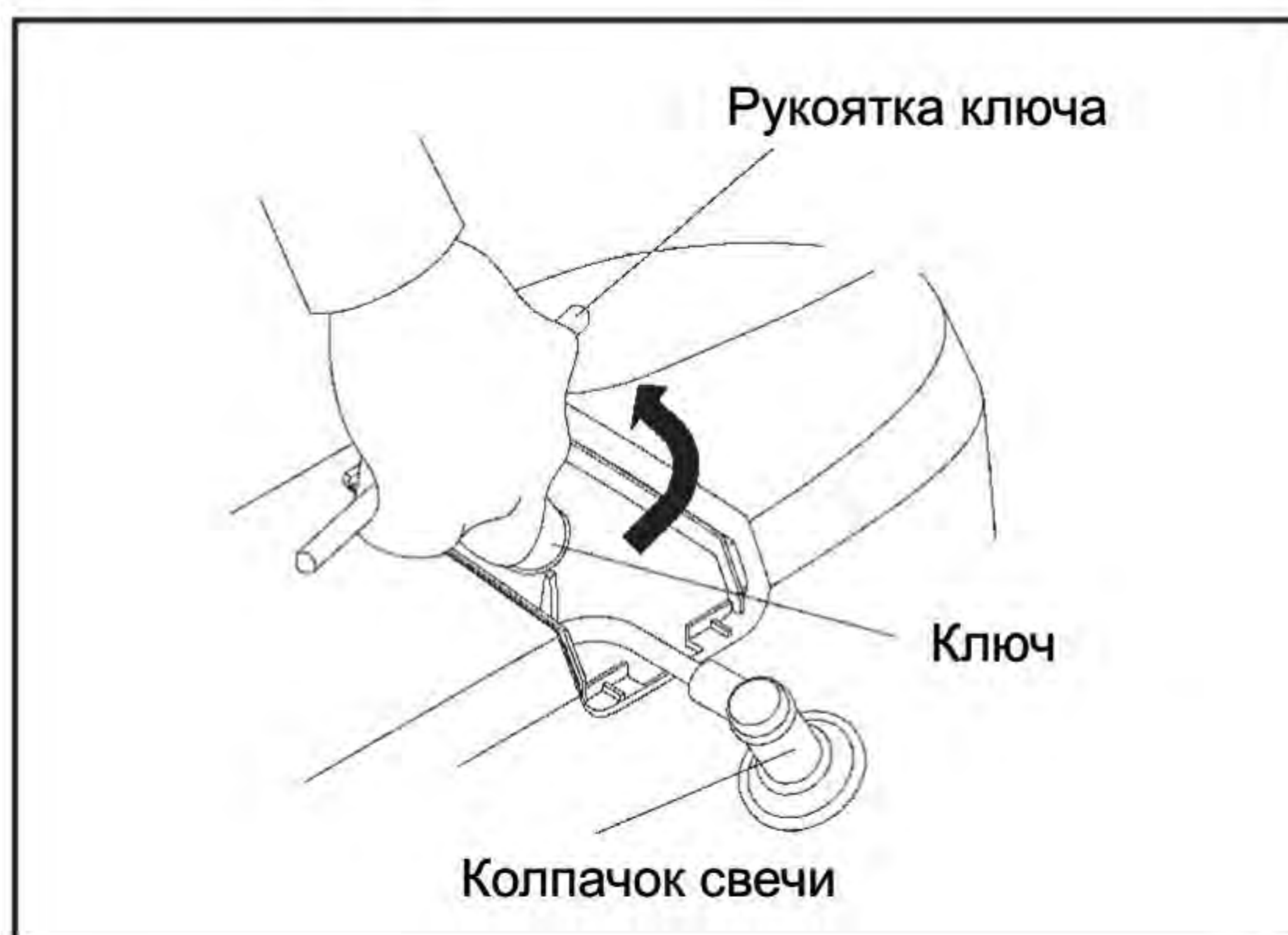
#### 1. Снимите крышку свечи зажигания.



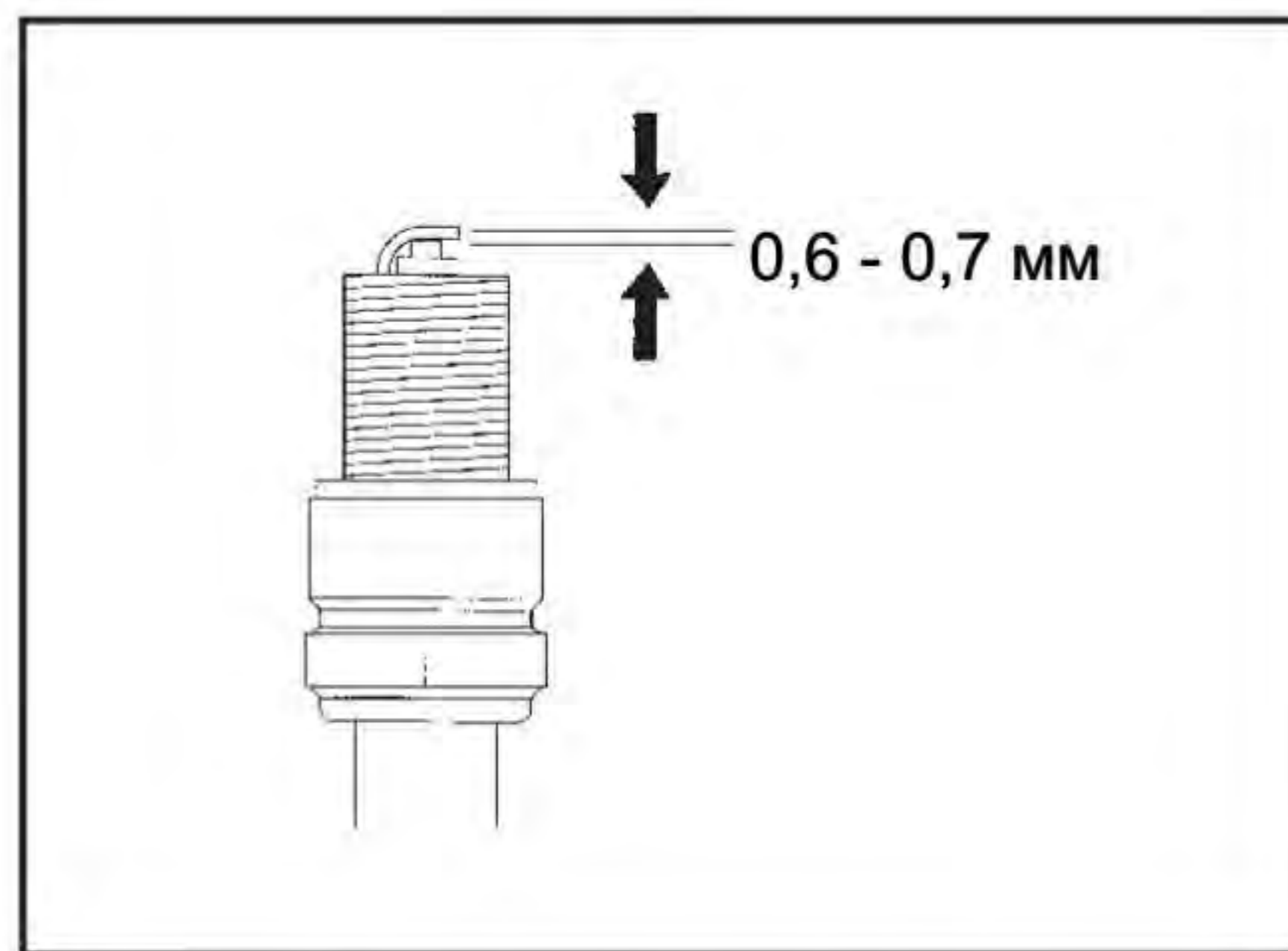
#### 2. Снимите колпачок свечи зажигания.

#### 3. Очистите колпачок свечи зажигания.

#### 4. Открутите свечу специальным ключом.



5. Осмотрите свечу на предмет повреждений. Если изолятор поврежден - замените ее. Почистите свечу.
6. Проверьте зазор свечи, он должен быть 0,6-0,7 мм. Откорректируйте его при необходимости.
7. Установите свечу обратно, избегая перекосов.
8. Закрутите свечу ключом. Новая требует 1/2 оборота, старая - от 1/8 до 1/4 оборота.
9. Установите колпачок свечи.
10. Закройте крышку.



- Свеча должна быть надежно закреплена. Плохо закрепленная свеча может повредить электростанцию.
- Не используйте свечу несоответствующего температурного режима.
- Не используйте свечу без гасящего сопротивления.

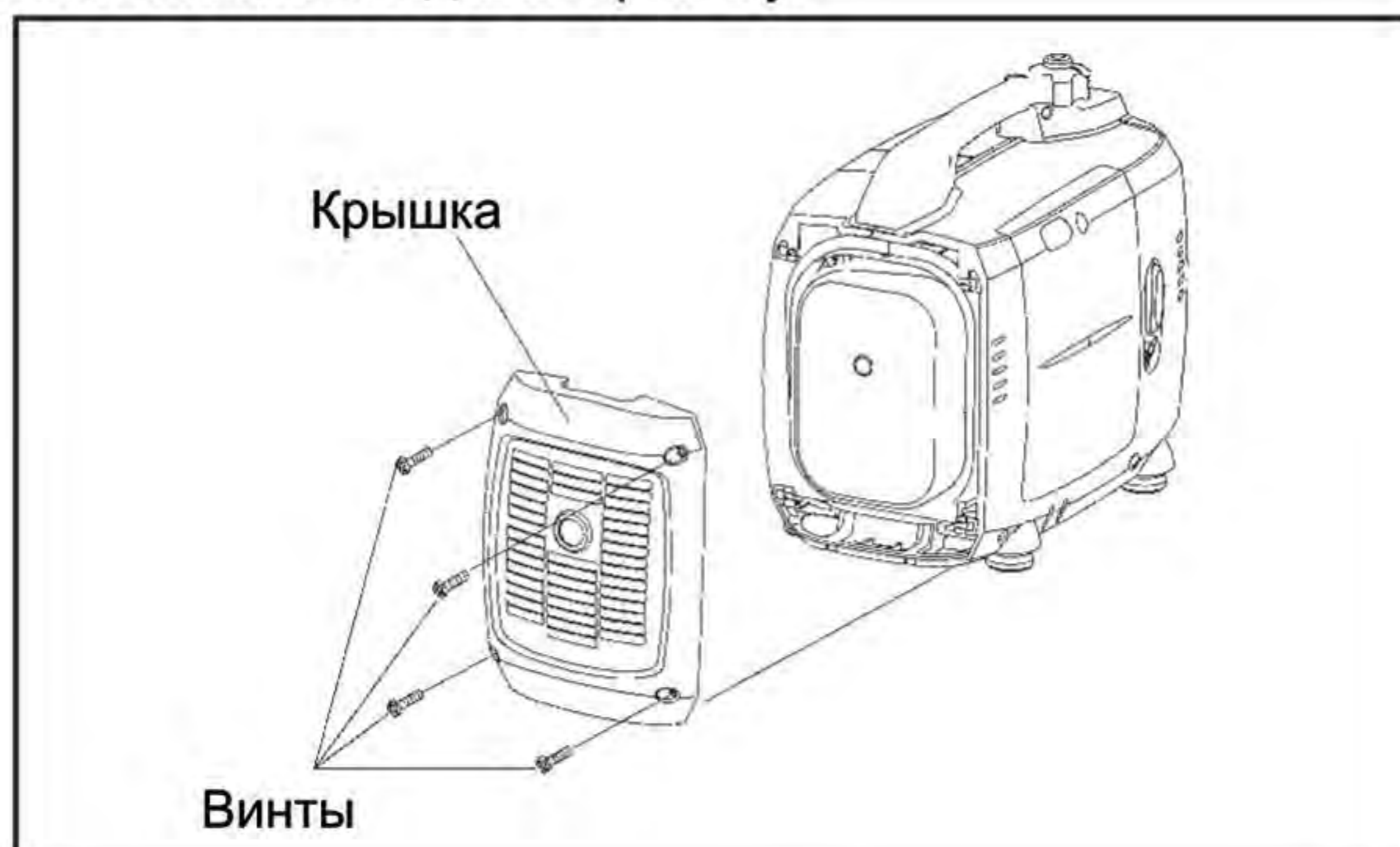
**ВНИМАНИЕ!**

#### 4. Проверка/чистка искрогасителя.

**ВНИМАНИЕ!**

- Если электростанцию недавно выключили, то она еще некоторое время будет горячей. Опасайтесь ожогов.
- Проверка и чистка искрогасителя должна производиться через каждые 100 часов.

1. Открутите винты и снимите заднюю крышку.



2. Открутите болты глушителя и снимите его. Снимите прокладку.



3. Очистите прокладку щеткой и проверьте на предмет прогара. При необходимости замените.

## 10. Транспортировка и хранение

Для предотвращения пролива топлива при транспортировке и хранении, электростанция должна находиться в горизонтальном положении, выключатель двигателя - в положение ВЫКЛ. Не должно быть топлива в горловине бака.

Во время тарнспортировки электростанции:



- В баке не должно быть топлива.
- Электростанция должна быть выключена.
- Электростанция должна быть защищена от прямых солнечных лучей.

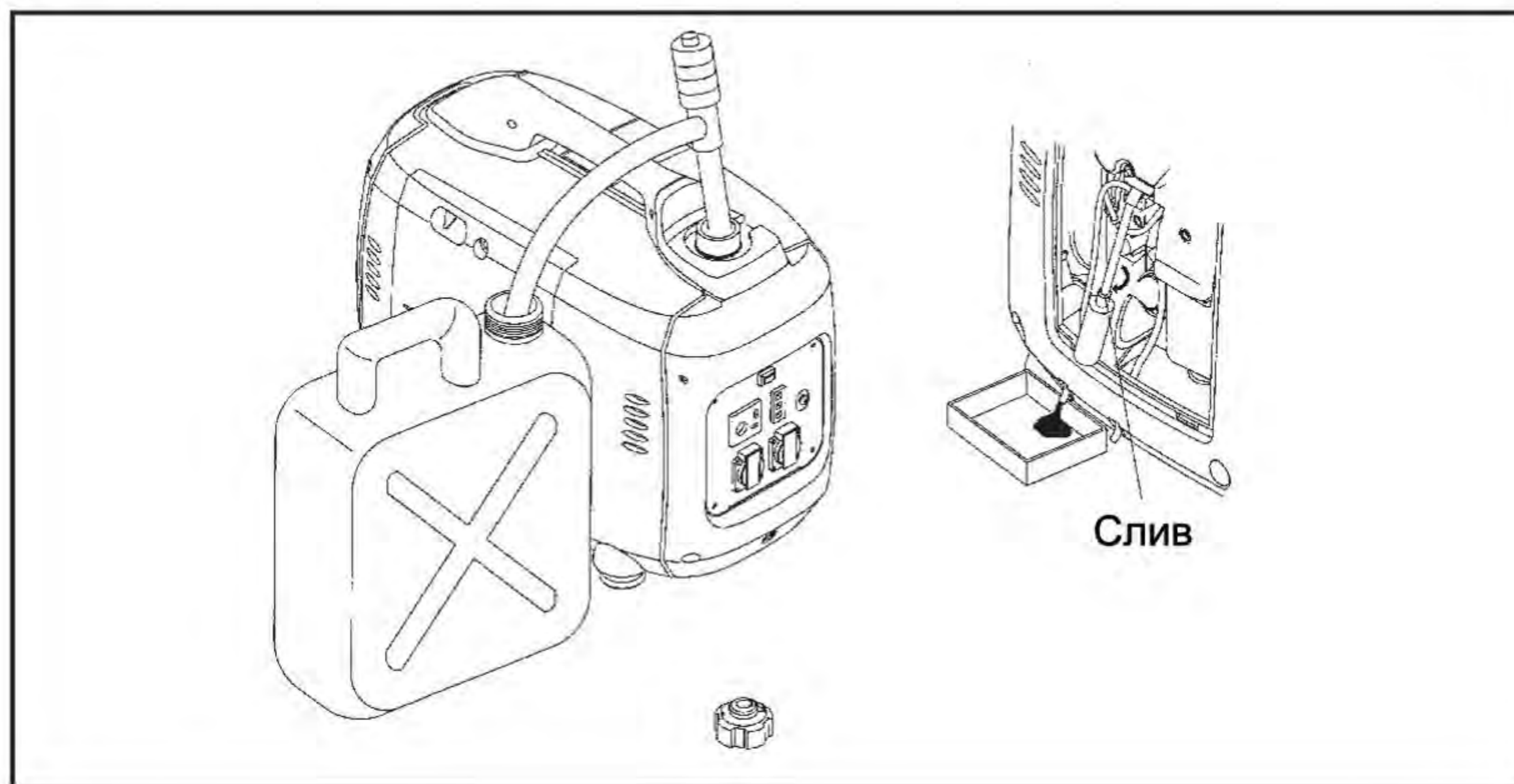
Перед хранением:



- В месте хранения электростанции не должно быть взрывоопасных и легковоспламеняемых веществ или паров.



1. Слейте топливо в специальную емкость.
2. Поставьте выключатель двигателя в положение ВКЛ и выкрутите винт карбюратора. Слейте топливо из карбюратора в емкость.
3. Снимите колпачок свечи и 3-4 раза прокрутите стартер для удаления топлива из топливопровода.
4. Поставьте выключатель двигателя в положение ВЫКЛ и вкрутите обратно винт карбюратора.



5. Поменяйте масло.
6. Выкрутите свечу зажигания и залейте немного масла в цилиндр. Установите свечу на место.
7. Медленно потяните ручку стартера до возникновения сопротивления. Теперь клапана двигателя закрыты. Храните электростанцию в таком положении.



## 11. Неисправности и их устранение

Двигатель не заводится:

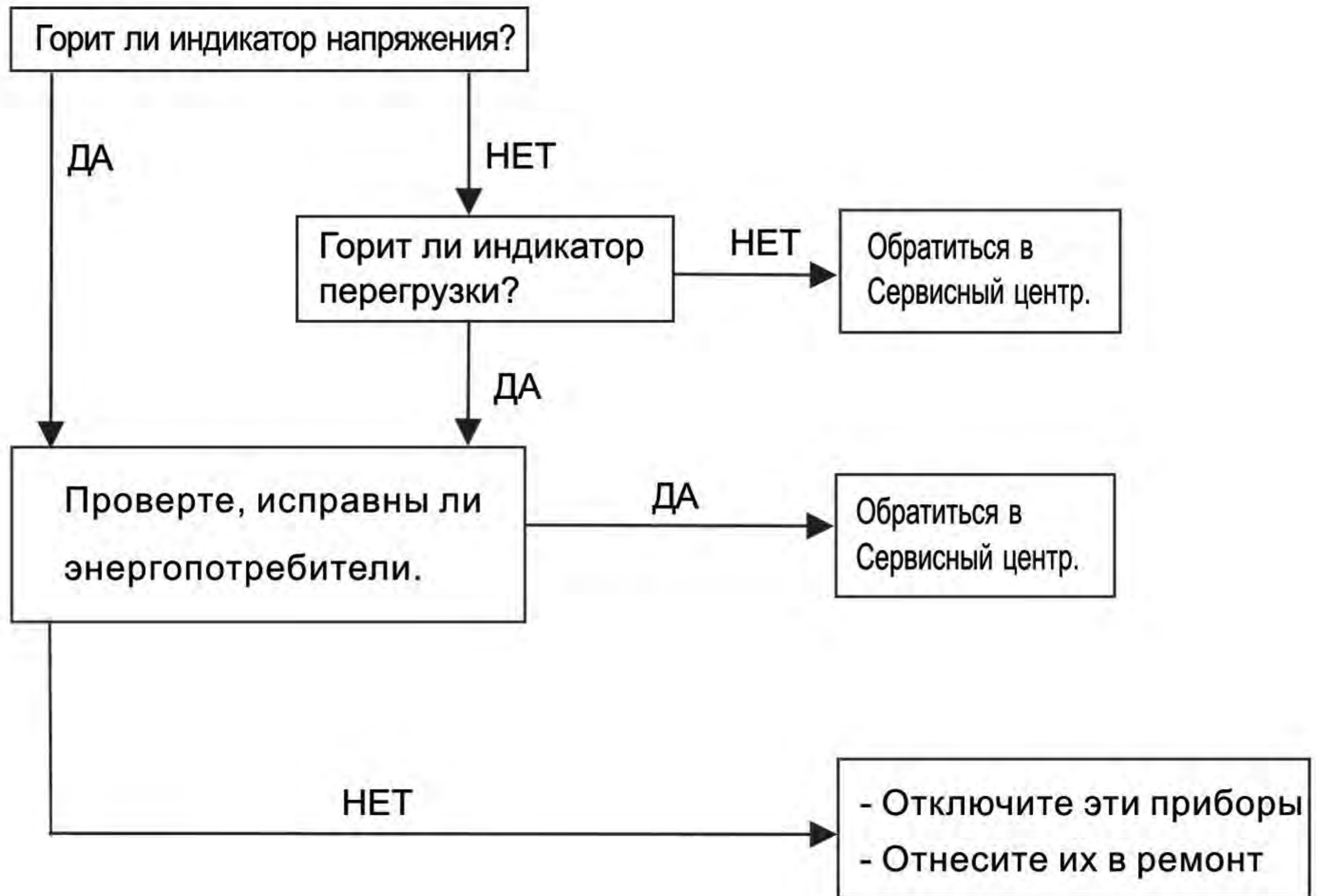
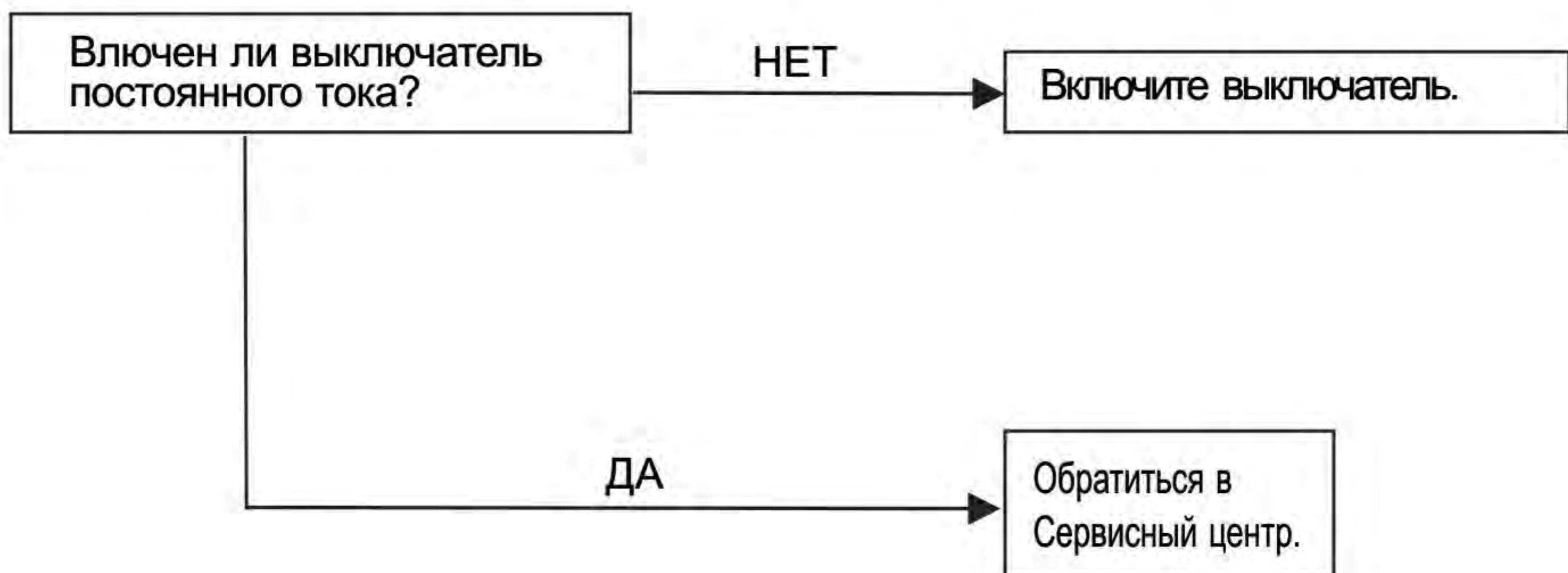


**⚠ ВНИМАНИЕ**  
Проверьте, что вокруг свечи нет бензина - он может загореться.

Если электростанция не работает, обратитесь в Сервисный центр.

**Проверьте:**

1. Снимите колпачок свечи и очистите.
2. Выверните свечу и вставьте ее в колпачок.
3. Замкните корпус свечи на корпус электростанции.
4. Потяните стартер и проверьте искру.

**Энергопотребители не работают:****Нет постоянного тока:**

## 12. Коэффициент поправки мощности

Условия номинальной мощности электростанции:

Высота над уровнем моря: 0 м

Температура окружающей среды: 25°C

Относительная влажность: 30%

Коэффициент поправки: С (Относительная влажность 30%)

Высота над уровнем моря (м)	Температура окружающей среды (°C)				
	25	30	35	40	45
0	1	0.98	0.96	0.93	0.90
500	0.93	0.91	0.89	0.87	0.84
1000	0.87	0.85	0.82	0.80	0.78
2000	0.75	0.73	0.71	0.69	0.66
3000	0.64	0.62	0.6	0.58	0.56
4000	0.54	0.52	0.5	0.48	0.46

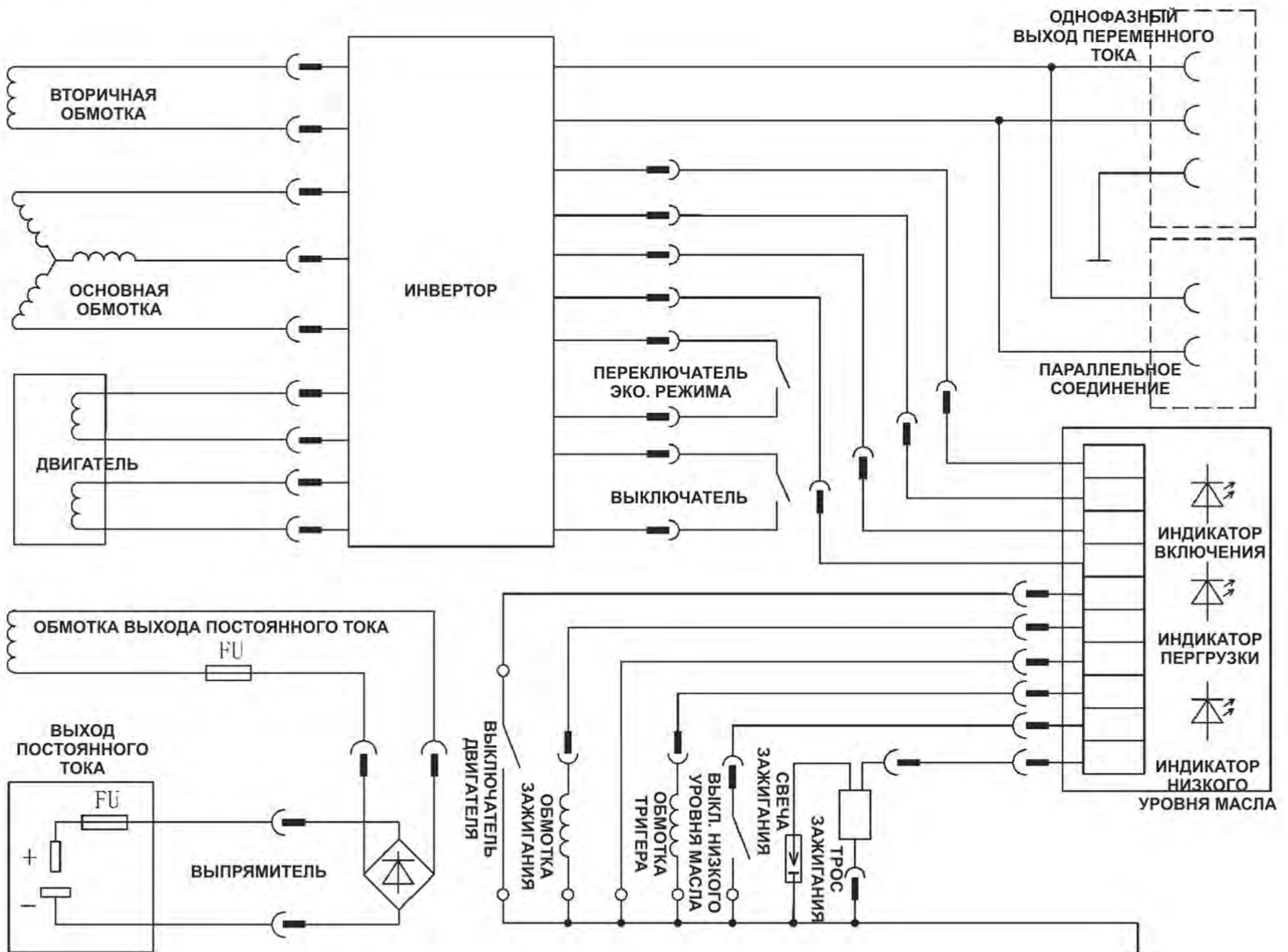
Дополнение:

- При относительной влажности 60% коэффициент поправки С-0.01
- При относительной влажности 80% коэффициент поправки С-0.02
- При относительной влажности 90% коэффициент поправки С-0.03
- При относительной влажности 100% коэффициент поправки С-0.04

Пример:

Если номинальная мощность электростанции  $P_N = 5$  кВт, высота над уровнем моря 1000 м, температура окружающей среды 35°C, относительная влажность 80%, то мощность электростанции составит:  $P = P_N \times (C - 0.02) = 5 \times (0.82 - 0.02) = 4$  кВт

### 13. Электрическая схема



### 14. Гарантийные обязательства

Гарантийный срок на оборудование указывается в прилагаемом сервисном талоне.

Гарантия относится к дефектам в материалах и узлах и не распространяется на компоненты, подверженные естественному износу, расходные материалы и работы по техническому обслуживанию.

Сервисному ремонту подлежат только очищенные от пыли и грязи аппараты в заводской упаковке, полностью укомплектованные, имеющие фирменный технический паспорт, сервисный талон с указанием даты продажи, при наличии штампа магазина, заводского номера и оригиналов товарного и кассового чеков, выданных продавцом.

В течение сервисного срока сервис-центр устраняет за свой счёт выявленные производственные дефекты. Производитель снимает свои обязательства и юридическую ответственность при несоблюдении потребителем инструкций по эксплуатации, самостоятельной разборки, ремонта и технического обслуживания аппарата, а также не несет никакой ответственности за причиненные травмы и нанесенный ущерб.

Горячая линия FUBAG  
тел.: (495) 641-31-31

[info@fubag.ru](mailto:info@fubag.ru)  
[www.fubag.ru](http://www.fubag.ru)

